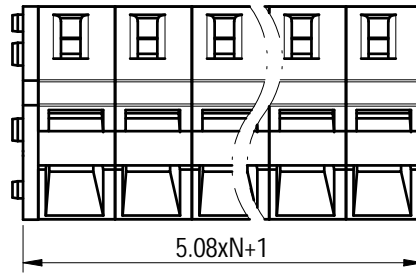
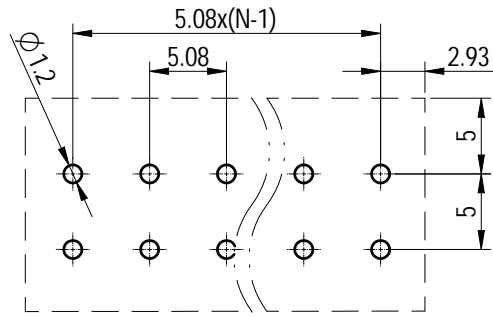
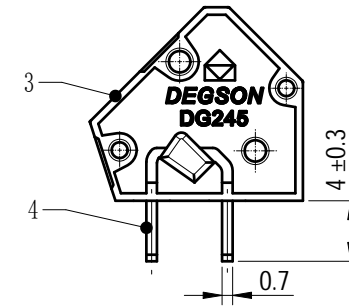
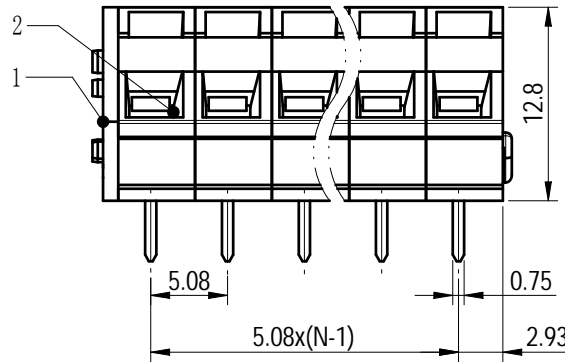
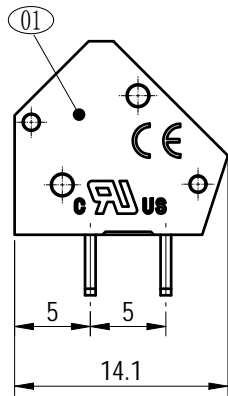


PCB LAYOUT



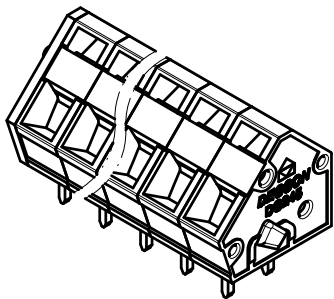
未注公差/General tolerances (mm)													0.1/10 ±2'
0	>3	>6	>10	>18	>30	>50	>80	>120	>180	>250	>315	>400	
~3	~6	~10	~18	~30	~50	~80	~120	~180	~250	~315	~400	~500	
±0.12	±0.18	±0.22	±0.26	±0.31	±0.37	±0.57	±0.80	±0.93	±1.05	±1.15	±1.60	±2.20	±2.50

UL 标准/UL Standard:	B	C	D
额定电压/电流/Rated Voltage(V)/Current(A)	300/15	/	300/10
IEC 标准/IEC Standard:			
过压类别/Overvoltage Category/污染等级/Pollution Degree	III/3	III/2	II/2
额定电压/电流/Rated Voltage(V)/Current(A)	320/17	320/17	630/17
额定脉冲电压/Rate Impulse Voltage(KV)	4	4	4
线径范围(硬线和软线)/Wire Range (rigid and flexible)(AWG/mm <sup>2</sup> )	28~12 / 0.2~2.5		
间距/Pitch(mm)/线数范围/Poles	5.08/N=01~24P		
剥线长度/Stripping length(mm)	5~6		
使用温度范围/Operating temperature(°C)	-40~+105		
符合RoHS环保要求/Conform to RoHS	Yes		



Note:  
The A&Z(H) in the name means: A(H) and Z(H).

ITEM	NAME OF PART	MATERIAL	NOTES
4	Pin header	Copper alloy	Sn plated
3	Housing	PA66	UL94V-0
2	Spring	Stainless steel	/
1	Cover	PA66	UL94V-0



		MATERIAL: /	SURFACE/COLOR: /		
APPD: 兰春华 2022.10.24		MAT NO./REV: - / 01	MAT STATUS: 批量		
CHKD: 陈招 2022.10.21		NAME			
DRFT: 柳学龙 2022.10.21		DG245-5.08-XXP-1Y-00A&Z(H)			
DRAWING NO.	TYPE	DRAWING STATUS	SCALE	SHEET	
200025312	CUSTOMER DRAWING	已发布	2:1	1/1	

REV	ECN	DESCRIPTION	DRFT	DATE
01		以实物无VDE刻字, 修改图面	柳学龙	2022.10.21

Transfer or duplication of this document as well as the utilization or communication of its contents are prohibited unless authorized in writing by DEGSON. All rights reserved for patent. 未经授权, 复制或传播本文件内容, 或在本文件内容基础上进行任何修改, 均属于侵权行为。除专利等明确标注外, 其他内容均按原样提供。 除专利等明确标注外, 其他内容均按原样提供。