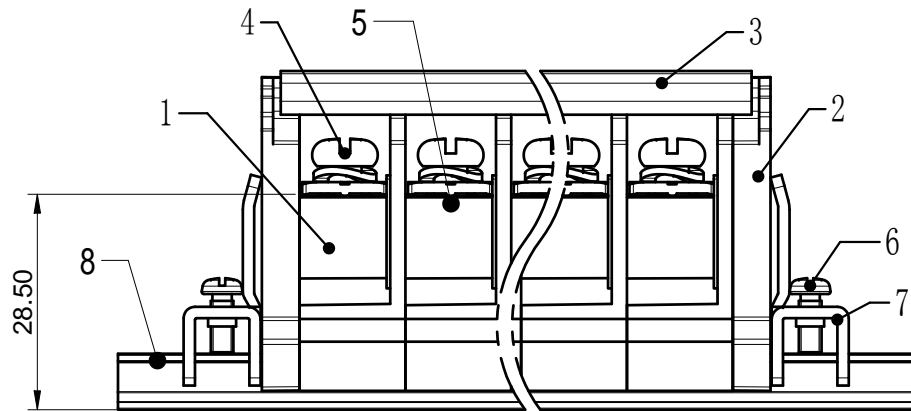
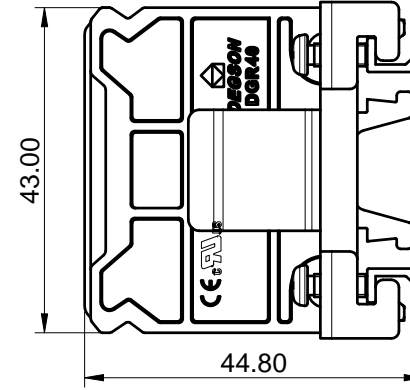
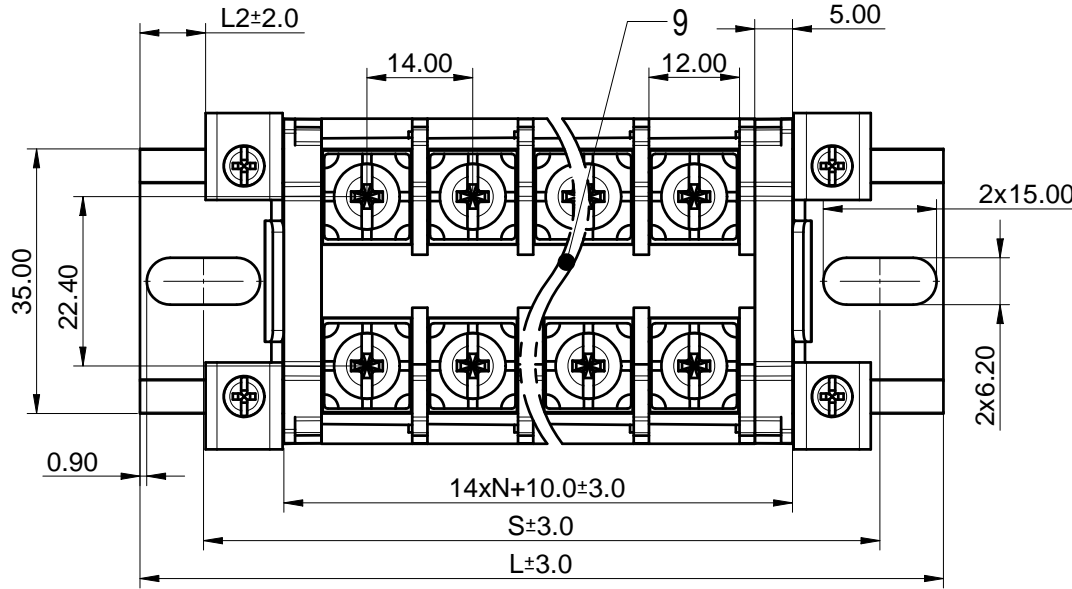


| 未注公差/General tolerances(mm) |       |       |       |       |       |       |       |       |       |       |       |       | 0.1/10 |      |
|-----------------------------|-------|-------|-------|-------|-------|-------|-------|-------|-------|-------|-------|-------|--------|------|
| 0                           | >3    | >6    | >10   | >18   | >30   | >50   | >80   | >120  | >180  | >250  | >315  | >400  |        | >500 |
| ±0.12                       | ±0.18 | ±0.22 | ±0.26 | ±0.31 | ±0.37 | ±0.57 | ±0.80 | ±0.93 | ±1.05 | ±1.15 | ±1.60 | ±2.20 | ±2.50  | ±2'  |

(W/O COVER)



Note:

The A&Z (H) in the name means: A (H) and Z (H).

| ITEM | NAME OF PART    | MATERIAL     | NOTES        |
|------|-----------------|--------------|--------------|
| 9    | Tag             | PVC          | UL94V-0      |
| 8    | Tramroad        | Al           | /            |
| 7    | Fastener        | Steel        | Zn Plated    |
| 6    | Screw 2         | Steel        | Zn Plated/M3 |
| 5    | Current carrier | Copper alloy | Ni Plated    |
| 4    | Screw 1         | Steel        | Zn Plated/M5 |
| 3    | Cover           | PC           | UL94V-2      |
| 2    | Housing2        | PC           | UL94V-0      |
| 1    | Housing1        | PC           | UL94V-0      |

| POLES | 1     | 2    | 3     | 4     | 5    | 6     | 7     | 8    | 9    | 10   | 11    | 12   | 13    | 14    | 15   | 16    |
|-------|-------|------|-------|-------|------|-------|-------|------|------|------|-------|------|-------|-------|------|-------|
| L     | 77    | 77   | 97    | 117   | 117  | 137   | 157   | 157  | 177  | 197  | 217   | 217  | 237   | 257   | 257  | 277   |
| S     | 60    | 60   | 80    | 100   | 100  | 120   | 140   | 140  | 160  | 180  | 200   | 200  | 220   | 240   | 240  | 260   |
| L2    | 15.68 | 8.68 | 11.68 | 14.68 | 7.68 | 10.68 | 13.68 | 6.68 | 9.68 | 2.68 | 15.68 | 8.68 | 11.68 | 14.68 | 7.68 | 10.68 |

| UL 标准/UL Standard:   | B             | C      | D |
|--|---------------|--------|---|
| 额定电压/电流/Rated Voltage(V)/Current(A)                              | 600/60        | 600/60 | / |
| 螺丝扭矩/Torque Tightening(N·m/Lb.in)                                | M5, 2.82/25.0 |        |   |
| 线径范围(硬线和软线)/Wire Range(rigid and flexible)(AWG/mm <sup>2</sup> ) | 22~6          |        |   |
| 间距/Pitch(mm)/线数范围/Poles  | 14/N=01~16P   |        |   |
| 使用温度范围/Operating temperature(°C)                                 | -40~+125      |        |   |
| 符合RoHS环保要求/Conform to RoHS                                       | Yes           |        |   |

|                      |                       |                       |
|----------------------|-----------------------|-----------------------|
|                      | MATERIAL:             | SURFACE:              |
|                      | MAT NO./REV: /        | MAT STATUS: 批量        |
| APPD: 蓝贵凡 2022.11.11 | NAME                  |                       |
| CHKD: 曹利彬 2022.11.09 | DGR40-XXP-1Y-10A&Z(H) |                       |
| DRFT: 虞倩松 2022.11.09 | DRAWING NO. 200014545 | TYPE CUSTOMER DRAWING |
| REV                  | ECN                   | DESCRIPTION           |
| 00                   |                       | 图档迁移至TC由T1版升级或00版     |
| DRFT                 | DATE                  | 虞倩松 2022.11.09        |
| SCALE 1:1            | DRAWING STATUS 已发布    | SHEET 1/1             |

Transfer or duplication of this document as well as the utilization or communication of its contents are prohibited unless explicitly authorized in writing. All rights reserved for patent, utility model or designs registrations. 非经书面授权, 任何禁止转让、复制、利用、交加本文件内容, 侵犯者将承担法律责任。 侵权者将承担法律责任。 侵权者将承担法律责任。