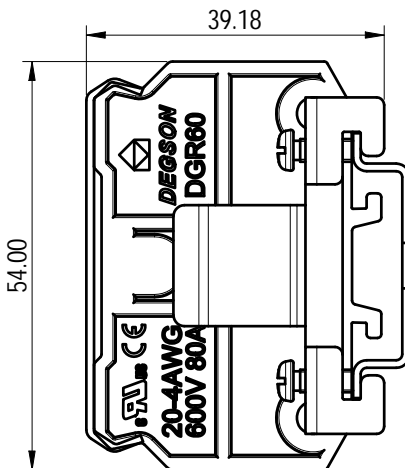
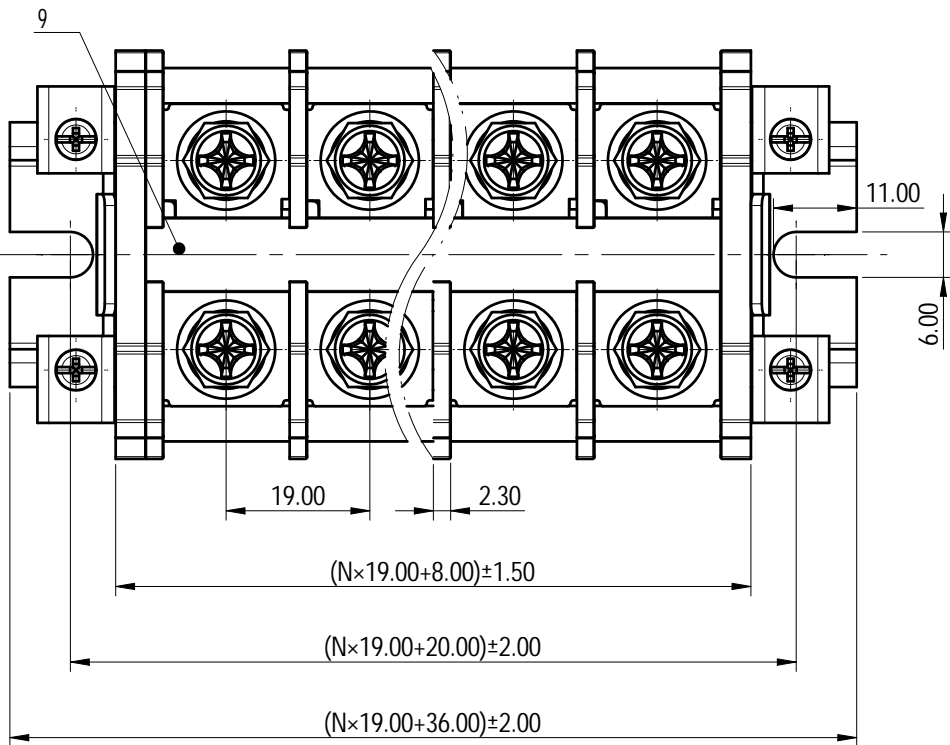


未注公差/General tolerances(mm)											0.1/10 ±2'		
0	>3	>6	>10	>18	>30	>50	>80	>120	>180	>250		>315	>400
~3	~6	~10	~18	~30	~50	~80	~120	~180	~250	~315	~400	~500	>500
±0.12	±0.18	±0.22	±0.26	±0.31	±0.37	±0.57	±0.80	±0.93	±1.05	±1.15	±1.60	±2.20	±2.50

(W/O COVER VIEW)

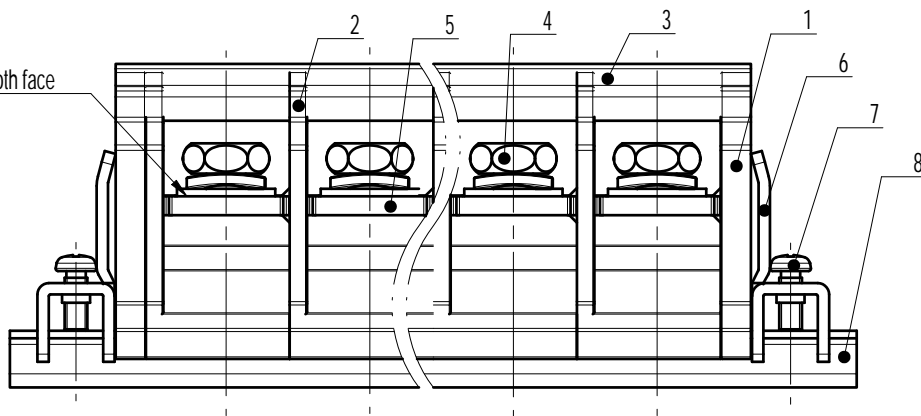


Note: The A&Z(H) in the name means: A(H) and Z(H).

9	Tag	PVC	UL94V-0
8	Tramroad	Stainless Steel	/
7	Screw 2	Steel	Zn Plated
6	Fastener	SPCC	Zn Plated
5	Current carrier	Copper alloy	Ni Plated
4	Screw 1	Steel	Zn Plated
3	Cover	PC	UL94V-2
2	Housing 2	PC	UL94V-0
1	Housing 1	PC	UL94V-0
ITEM	NAME OF PART	MATERIAL	NOTES

UL 标准/UL Standard:		B	C	D
额定电压/电流/Rated Voltage(V)/Current(A)		600/80	600/80	/
螺丝扭矩/Torque Tightening(N·m/Lb.in)		M6, 4.52/40		
线径范围(硬线和软线)/Wire Range(rigid and flexible)(AWG)		20~4		
间距/Pitch(mm)/线数范围/Poles		19.00/N=XXP		
使用温度范围/Operating temperature(°C)		-40~+125		
符合RoHS环保要求/Conform to RoHS		Yes		

current carrier smooth face



		MATERIAL:	SURFACE:		
APPD: 蓝贵凡 2023.10.19		MAT NO./REV: - / 00	MAT STATUS: 批量		
CHKD: 曹利彬 2023.10.19		NAME			
DRFT: 姜民洁 2023.10.19		DGR60-XXP-1Y-00A&Z(H)			
00	REV	ECN	DESCRIPTION	DRFT	DATE
00	REV	ECN	DESCRIPTION	DRFT	DATE
DRAWING NO. 200017016		TYPE	CUSTOMER DRAWING	DRAWING STATUS	SCALE
TYPE		CUSTOMER DRAWING	DRAWING STATUS	SCALE	SHEET
TYPE		CUSTOMER DRAWING	已发布	1:1	1/1

Transfer or duplication of this document as well as the utilization or communication of its contents are prohibited unless authorized. All rights reserved for patent, utility model or design registrations. 非经许可擅自复制或传播, 否则禁止转让、复制、利用、交还本文件内容, 一经发现将追究法律责任。 侵权者将承担全部法律责任。 实用新型和外观设计专利的所有权利。