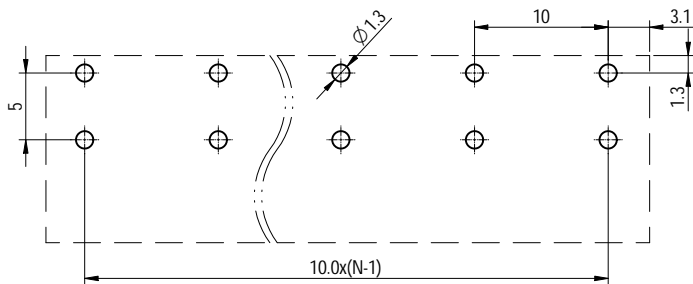
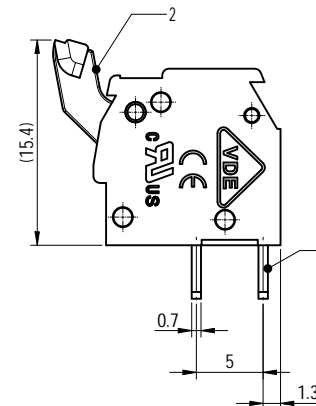
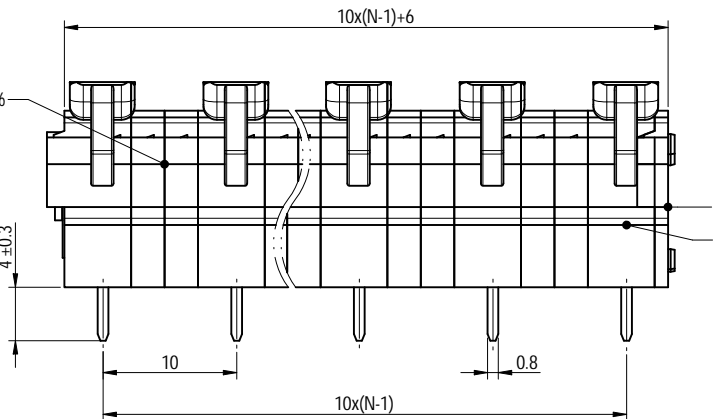
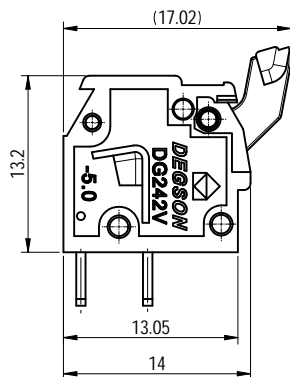
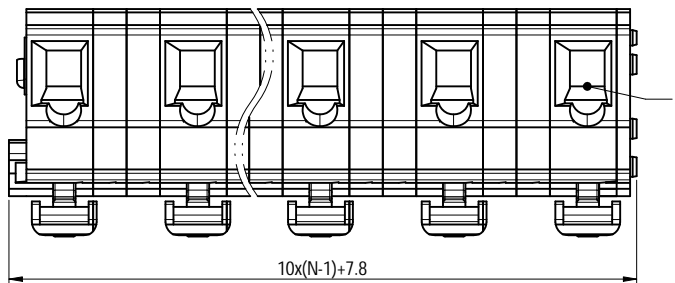


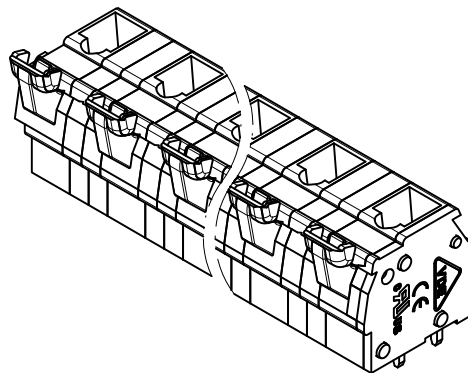
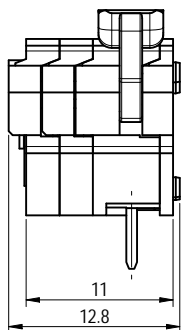
PCB LAYOUT



未注公差/General tolerances (mm)													D 0.1/10		
0	>3	>6	>10	>18	>30	>50	>80	>120	>180	>250	>315	>400		>500	
~	3	6	10	18	30	50	80	120	180	250	315	400	500	>2	
±0.12													±2		
UL 标准/UL Standard:													B	C	D
额定电压/电压/Rated Voltage (V)/Current (A)													300/15	/	300/10
IEC 标准/IEC Standard:															
过压类别/Overvoltage Category/污染等级/Pollution Degree													III/3	III/2	II/2
额定电压/电压/Rated Voltage (V)/Current (A)													/	1000/17	/
工频耐压/Withstanding Voltage (V/1Min)													AC3500		
线径范围(硬线和软线)/Wire Range (rigid and flexible) (AWG/mm²)													28~12 / 0.2~2.5		
间距/Pitch (mm)/线数范围/Poles													10.0/N=01~12P		
剥线长度/Stripping length (mm)													5~6		
使用温度范围/Operating temperature (°C)													-40~+105		
符合RoHS环保要求/Conform to RoHS													Yes		



01P



Note:  
The A&Z (H) in the name means: A (H) and Z (H).

6	Calpbord	PA66	UL94V-0
5	Housing	PA66	UL94V-0
4	Cover	PA66	UL94V-0
3	Spring	Stainless steel	/
2	Button	POM	UL94HB
1	Pin header	Copper alloy	Sn Plated
ITEM	NAME OF PART	MATERIAL	NOTES

<b>DEGSON</b>		MATERIAL: /		SURFACE/COLOR: /	
APPD: 兰春华	2022.09.26	NAME:	DG242V-10.0-XXP-1Y-00A&Z(H)		
CHKD: 陈滔	2022.09.26	MAT NO./REV: - / 00	MAT STATUS: 批量		
DRFT: 柳学龙	2022.09.26	DRAWING NO. 200025306	TYPE CUSTOMER DRAWING	DRAWING STATUS 已发布	SCALE 2.5:1 SHEET 1/1

00	REV	ECN	DESCRIPTION	DRFT	DATE	柳学龙	2022.09.26

Transfer or duplication of this document as well as the utilization of its contents without the written permission of DEGSON is prohibited. All rights reserved for patent. 未经授权复制或传播本文件以及未经许可使用其内容均属于侵权行为。DEGSON 保留所有权利。未经许可复制或传播本文件以及未经许可使用其内容均属于侵权行为。