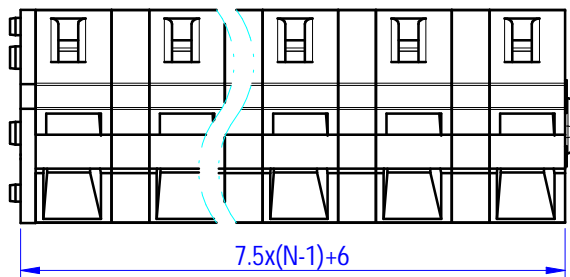
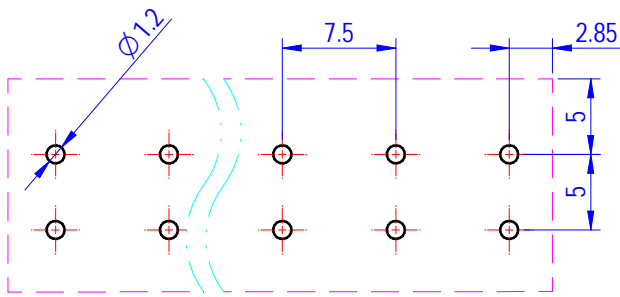
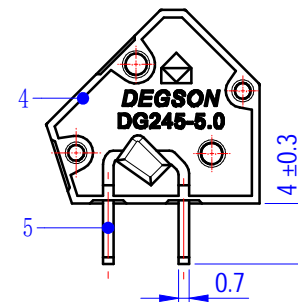
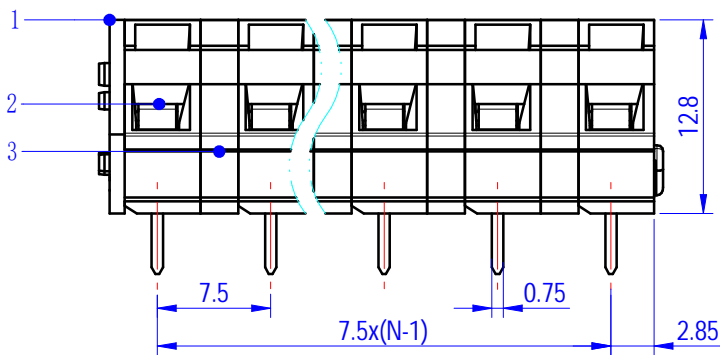
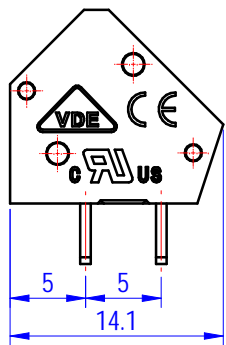


PCB LAYOUT

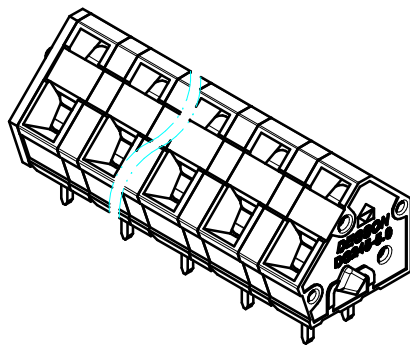
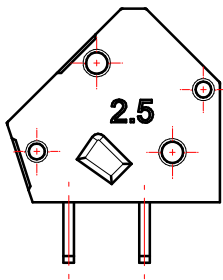
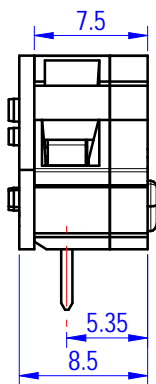


未注公差/General tolerances (mm)												0.1/10 ±2'	
0	>3	>6	>10	>18	>30	>50	>80	>120	>180	>250	>315		>400
~3	~6	~10	~18	~30	~50	~80	~120	~180	~250	~315	~400	~500	~500
±0.12	±0.18	±0.22	±0.26	±0.31	±0.37	±0.57	±0.80	±0.93	±1.05	±1.15	±1.60	±2.20	±2.50

UL 标准/UL Standard:	B	C	D
额定电压/电流/Rated Voltage(V)/Current(A)	300/15	/	300/10
IEC 标准/IEC Standard:			
过压类别/Oversvoltage Category/污染等级/Pollution Degree	III/3	III/2	II/2
额定电压/电流/Rated Voltage(V)/Current(A)	/	750/17	/
工频耐压/Withstanding Voltage(V/Min)	AC3000		
线径范围(硬线和软线)/Wire Range(rigid and flexible)(AWG mm²)	28~ 12/ 0.2~ 2.5		
间距/Pitch(mm)/线数范围/Roles	7.5/N= 01~ 12P		
剥线长度/Stripping length(mm)	5~ 6		
使用温度范围/Operating temperature(°C)	-40~ + 105		
符合RoHS环保要求/Conform to RoHS	Yes		



OIP视图



5	Pin header	Copper alloy	Sn plated
4	Housing	PA66	UL94V-0
3	Clapboard	PA66	UL94V-0
2	Spring	Stainless steel	/
1	Cover	PA66	UL94V-0
ITEM	NAME OF PART	MATERIAL	NOTES

		MATERIAL:	SURFACE/COLOR:		
APPD: 兰春华	2024.07.30	MAT NO./REV:	MAT STATUS: 批量		
CHKD: 陈招	2024.07.30	NAME			
DRFT: 方荣荣	2024.07.29	DG245-7.5-XXP-1Y-00A&Z(H)			
DRAWING NO. 200025314		TYPE	DRAWING STATUS	SCALE	SHEET
A4		CUSTOMER DRAWING	已发布	2:1	1/1

REV	ECN	DESCRIPTION	DRFT	DATE
01		1x去除隔板刻字面的箭	方荣荣	2024.07.29

Transfer or duplication of this document as well as the utilization or communication of its contents are prohibited unless authorized in general. Violations will be treated for compensation. All rights reserved for patent. Utility model or design registrations. 除专利注明情况外, 否则禁止上述, 复制, 印刷, 交流本文件的存储, 使用, 复制或传播。本公司保留所有权利。未经许可, 擅自复制或传播, 公司将依法追究。 方荣荣