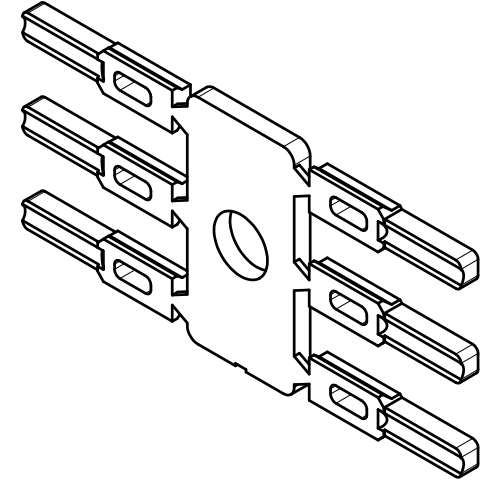
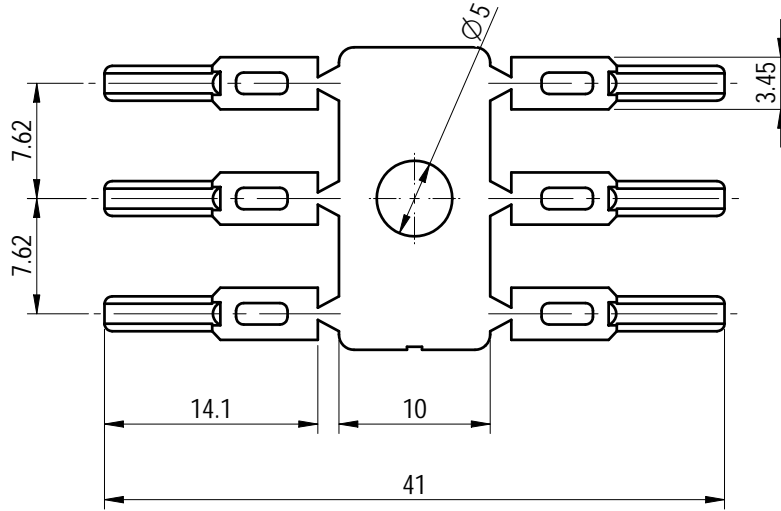
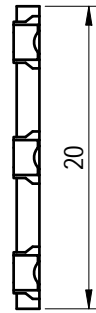
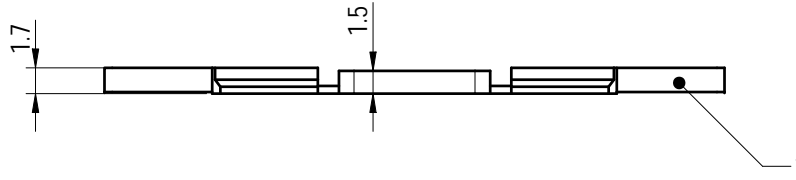


未注公差/General tolerances (mm)													0.1/10
0	>3	>6	>10	>18	>30	>50	>80	>120	>180	>250	>315	>400	
~3	~6	~10	~18	~30	~50	~80	~120	~180	~250	~315	~400	~500	>500
±0.12	±0.18	±0.22	±0.26	±0.31	±0.37	±0.57	±0.80	±0.93	±1.05	±1.15	±1.60	±2.20	±2.50



1	Housing	PA66	UL94V-0
ITEM	NAME OF PART	MATERIAL	NOTES
使用温度范围/Operating temperature(°C)			-40~+105
符合RoHS环保要求/Conform to RoHS			Yes

		MATERIAL:		SURFACE/COLOR:	
		MAT NO./REV: / 01		MAT STATUS: 批量	
APPD: 兰春华	2024.07.05	NAME			
CHKD: 龚耀志	2024.07.05	5EDG-PWI-06P-1Y-00Z (H)			
DRFT: 吴明慧	2024.07.05				
DRAWING NO.	TYPE	DRAWING STATUS	SCALE	SHEET	
200029364	CUSTOMER DRAWING	已发布	2:1	1/1	

01		1x5EDG-PWI structural change	吴明慧	2024.07.05
REV	ECN	DESCRIPTION	DRFT	DATE

Transfer or duplication of this document as well as the utilization or communication of its content are prohibited unless authorized in writing by Degson. All rights reserved for patent, utility model or designer registrations. 除专利权明确授权，否则禁止译法、复制、引用、分发本文件的程序。未经事先书面许可，不得复制或向第三方提供本文件。