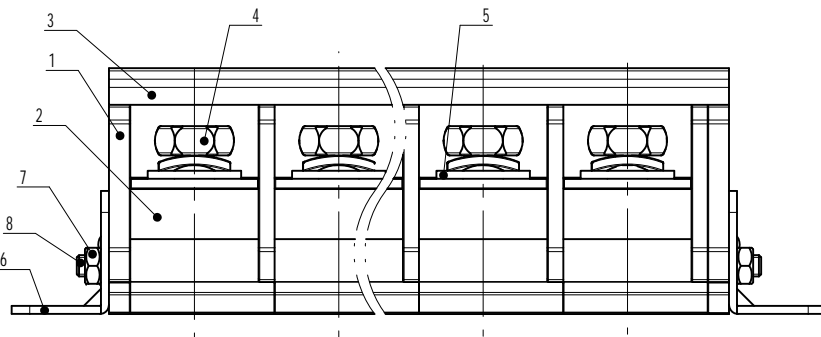
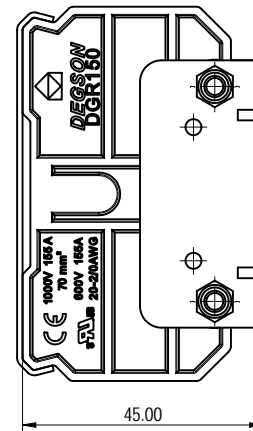
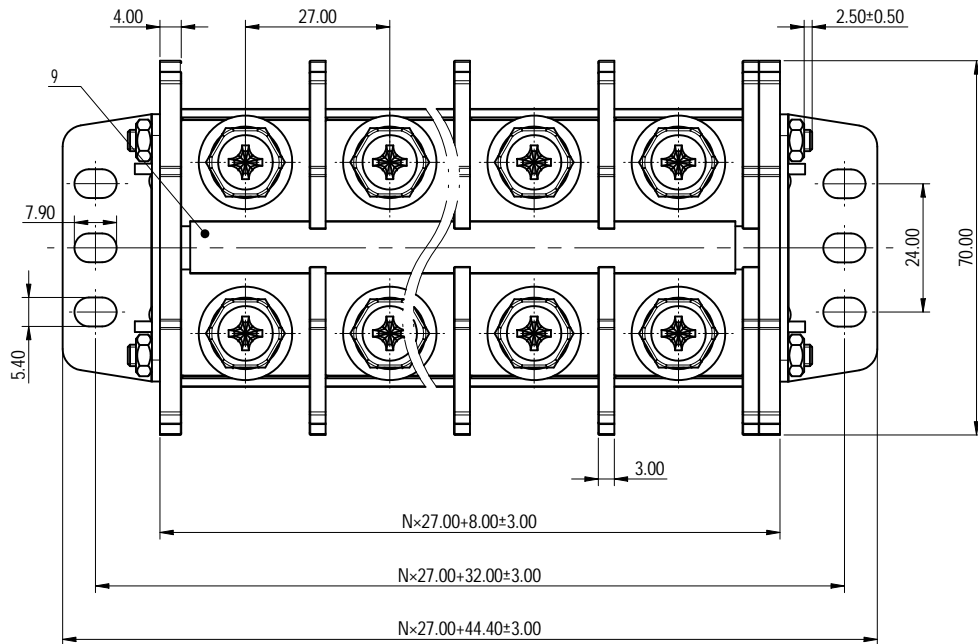


公差/General tolerances (mm)											D			
0	>3	>6	>10	>18	>30	>50	>80	>120	>180	>250	>315	>400	>500	0.1/10
~3	~6	~10	~18	~30	~50	~80	~120	~180	~250	~315	~400	~500	~2	N
±0.12	±0.18	±0.22	±0.26	±0.31	±0.37	±0.57	±0.80	±0.93	±1.05	±1.15	±1.60	±2.20	±2.50	±2

(W/O COVER VIEW)



Note: The A&Z (H) in the name means: A(H) and Z(H).

ITEM	NAME OF PART	MATERIAL	NOTES
9	Tag	PVC	UL94V-0
8	Connect Pillar	Stainless Steel	/
7	Nut	Steel	Zn Plated
6	Fastener	SPCC	Zn Plated
5	Current carrier	Copper alloy	Ni Plated
4	Screw	Steel	M8/Zn Plated
3	Cover	PC	UL94V-0
2	Housing 2	PC	UL94V-0
1	Housing 1	PC	UL94V-0

UL 标准/UL Standard:	B	C	D
额定电压/电压/Rated Voltage(V)/Current(A)	600/155	600/155	600/5
螺丝扭矩/Torque Tightening(N·m/Lb.in)	M8, 4.5/40.0		
线径范围(硬线和软线)/Wire Range(rigid and flexible)(AWG/mm²)	22-2/0 / 0.5-70		
间距/Pitch(mm)/线数范围/Poles	27.00/N=02-16P		
剥线长度/Stripping length(mm)	17-18		
使用温度范围/Operating temperature(°C)	-40--+120		
符合RoHS环保要求/Conform to RoHS	Yes		

DEGSON	MATERIAL:	SURFACE/COLOR:			
	MAT NO./REV: - / 00	MAT STATUS: 批量			
APPD: 蓝美凡 2024.03.29	NAME: DGR150-XXP-1Y-20A&Z(H)				
CHKD: 曹利影 2024.03.29	DRAWING NO.	TYPE	DRAWING STATUS	SCALE	SHEET
DRFT: 姜民浩 2024.03.29	200237724	CUSTOMER DRAWING	已发布	1:1	1/1

REV	ECN	DESCRIPTION	DRFT	DATE
00			姜民浩	2024.03.29