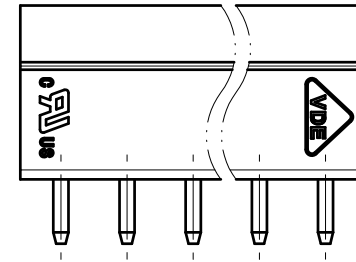
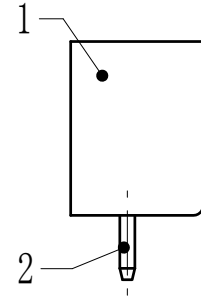
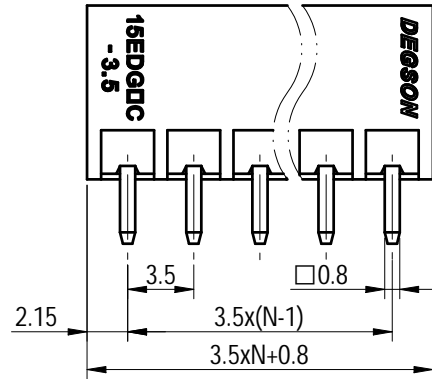
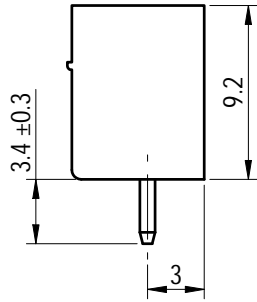
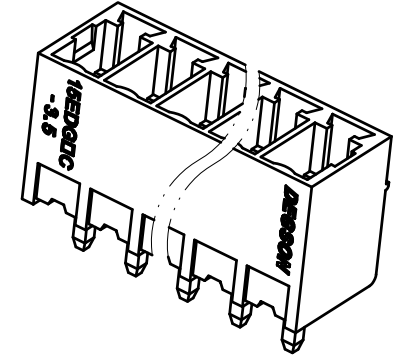
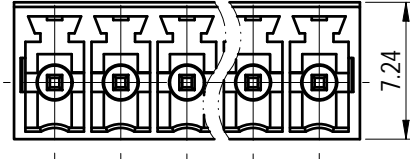


Transfer or duplication of this document as well as the utilization or communication of its content are prohibited unless authorization is granted. Violations will be held for compensation. All rights reserved for patent, utility model or design registrations. 除专利权明确标注外，其他内容均受专利、实用新型或外观设计保护。未经许可擅自复制或传播，公司将依法追究法律责任。保留对规格内容随时修改的权利。

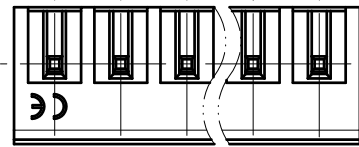
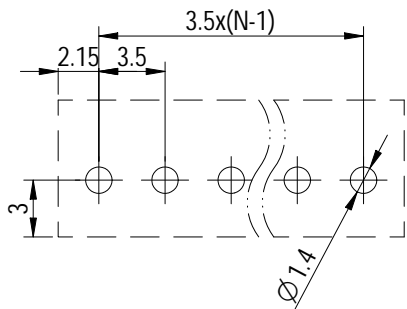
未注公差/General tolerances (mm)													0.1/10 ±2'	
0 ~ 3	>3 ~ 6	>6 ~ 10	>10 ~ 18	>18 ~ 30	>30 ~ 50	>50 ~ 80	>80 ~ 120	>120 ~ 180	>180 ~ 250	>250 ~ 315	>315 ~ 400	>400 ~ 500		>500
±0.12	±0.18	±0.22	±0.26	±0.31	±0.37	±0.57	±0.80	±0.93	±1.05	±1.15	±1.60	±2.20	±2.50	



Note:
The A&Z(H) in the name means: A(H) and Z(H).

ITEM	NAME OF PART	MATERIAL	NOTES
2	Pin	Copper alloy	Sn Plated
1	Housing	PA66	UL94V-0

PCB LAYOUT



UL 标准/UL Standard:	B	C	D
额定电压/电流/Rated Voltage(V)/Current(A)	300/8	/	300/8
IEC 标准/IEC Standard:			
过压类别/Overvoltage Category/污染等级/Pollution Degree	III/3	III/2	II/2
额定电压/电流/Rated Voltage(V)/Current(A)	/	/	250/7
额定脉冲电压(KV)/Rate Impulse Voltage(KV)	/	/	2.5
间距/Pitch(mm)/线数范围/Poles	3.5/N=02~24P		
使用温度范围/Operating temperature(°C)	-40~+105		
符合RoHS环保要求/Conform to RoHS	Yes		



MATERIAL:	SURFACE/COLOR:
MAT NO./REV: - / 00	MAT STATUS: 批量

APPD: 兰春华	2022.08.09
CHKD: 龚耀志	2022.08.09
DRFT: 朱岳鹏	2022.08.09

NAME	15EDGVC-3.5-XXP-1Y-00A&Z(H)			
------	-----------------------------	--	--	--

REV	ECN	DESCRIPTION	DRFT	DATE	SCALE	SHEET
00			朱岳鹏	2022.08.09	2.5:1	1/1

DRAWING NO.	TYPE	DRAWING STATUS	SCALE	SHEET
200102271	CUSTOMER DRAWING	已发布	2.5:1	1/1