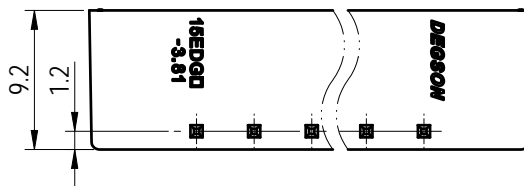
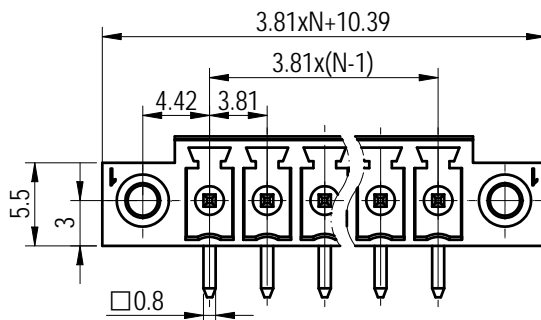
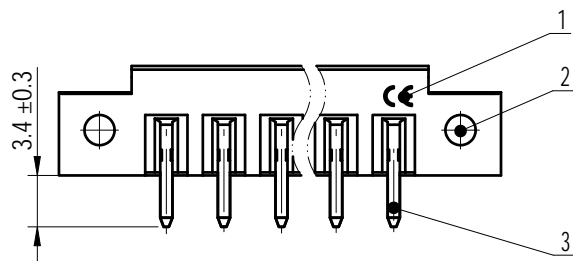
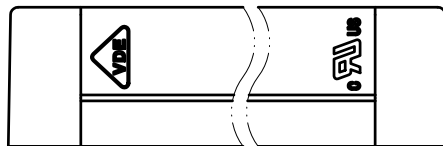
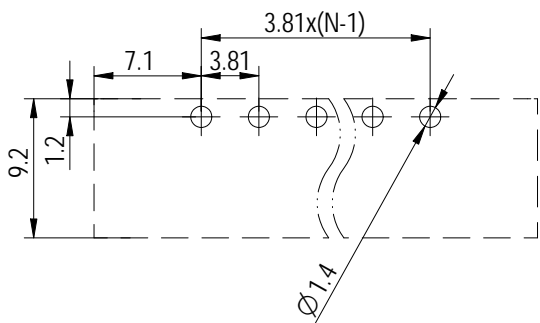
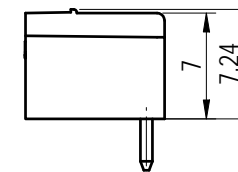
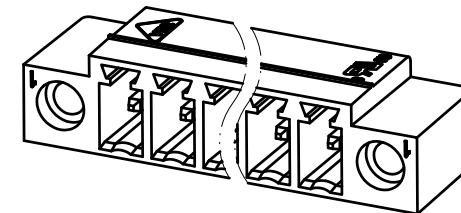


PCB LAYOUT



| 未注公差/General tolerances (mm) | | | | | | | | | | | | | 0.1/10 | |
|------------------------------|-------|-------|-------|-------|-------|-------|-------|-------|-------|-------|-------|-------|--------|-----|
| 0 | >3 | >6 | >10 | >18 | >30 | >50 | >80 | >120 | >180 | >250 | >315 | >400 | | |
| ~3 | ~6 | ~10 | ~18 | ~30 | ~50 | ~80 | ~120 | ~180 | ~250 | ~315 | ~400 | ~500 | >500 | |
| ±0.12 | ±0.18 | ±0.22 | ±0.26 | ±0.31 | ±0.37 | ±0.57 | ±0.80 | ±0.93 | ±1.05 | ±1.15 | ±1.60 | ±2.20 | ±2.50 | ±2' |



Note:
The A&Z(H) in the name means: A(H) and Z(H).

| ITEM | NAME OF PART | MATERIAL | NOTES |
|------|--------------|--------------|-----------|
| 3 | Pin | Copper alloy | Sn Plated |
| 2 | Screw cap | Copper alloy | / |
| 1 | Housing | PA66 | UL94V-0 |

| UL 标准/UL Standard: | B | C | D |
|---|---------------|-------|-------|
| 额定电压/电流/Rated Voltage(V)/Current(A) | 300/8 | / | 300/8 |
| IEC 标准/IEC Standard: | | | |
| 过压类别/Overvoltage Category/污染等级/Pollution Degree | III/3 | III/2 | II/2 |
| 额定电压/电流/Rated Voltage(V)/Current(A) | / | / | 250/7 |
| 额定脉冲电压(KV)/Rate Impulse Voltage(KV) | / | / | 2.5 |
| 间距/Pitch(mm)/线数范围/Poles | 3.81/N=02~24P | | |
| 使用温度范围/Operating temperature(°C) | -40~+105 | | |
| 符合RoHS环保要求/Conform to RoHS | Yes | | |
| 标准颜色编号/Standard color number: PANTONE / RAL | / | | |

DEGSON

APPD: 兰春华 2022.08.29
 CHKD: 龚耀志 2022.08.29
 DRFT: 刘强 2022.08.29

APPD: 兰春华 2022.08.29
 CHKD: 龚耀志 2022.08.29
 DRFT: 刘强 2022.08.29

| | | | |
|------------------------------|------------------|----------------|-------|
| MATERIAL: | SURFACE/COLOR: | | |
| MAT NO./REV: | / 00 | MAT STATUS: 批量 | |
| NAME | | | |
| 15EDGRM-3.81-XXP-1Y-00A&Z(H) | | | |
| DRAWING NO. | TYPE | DRAWING STATUS | SCALE |
| 200103862 | CUSTOMER DRAWING | 已发布 | 2:1 |
| | | | SHEET |
| | | | 1/1 |

| REV | ECN | DESCRIPTION | DRFT | DATE |
|-----|-----|-------------|------|------------|
| 00 | | | 刘强 | 2022.08.29 |

Transfer or duplication of this document as well as the utilization or communication of its contents are prohibited unless explicit authorization is granted. Violations will be liable for compensation. All rights reserved for patent, utility model or design registrations. 除专利与商标权外, 复制、引用、分发本文档内容, 或未经明确授权, 否则禁止再行, 否则需承担侵权责任。本公司保留国内或国外的所有权利。