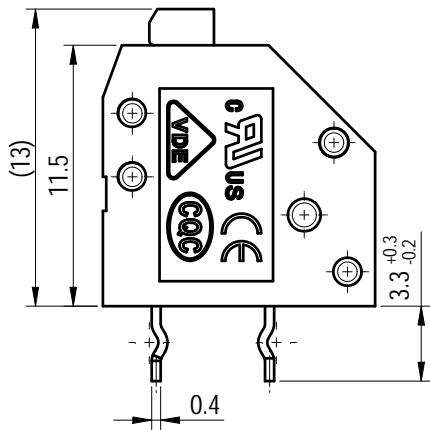
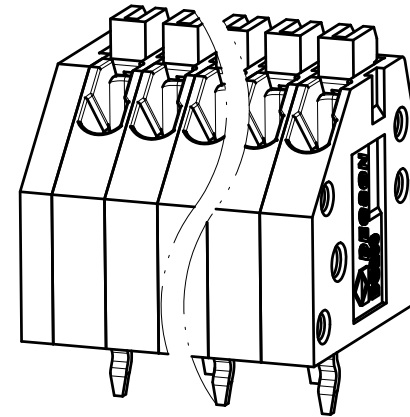
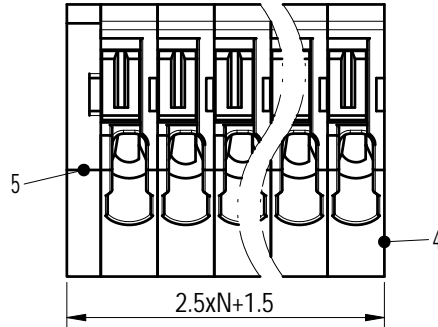
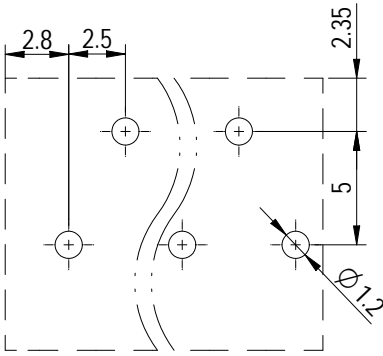
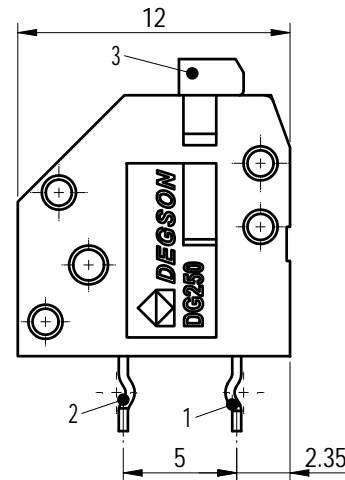
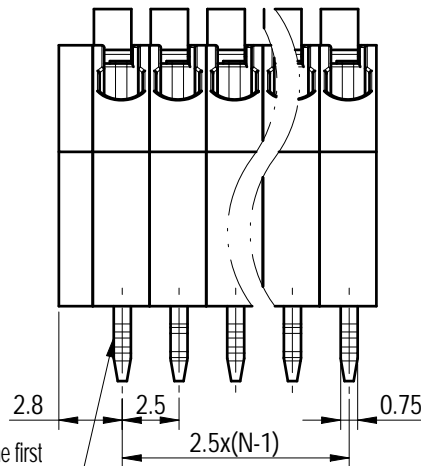


PCB LAYOUT



Based on this view, the first pin header is in front.



未注公差/General tolerances (mm)													0.1/10
0	>3	>6	>10	>18	>30	>50	>80	>120	>180	>250	>315	>400	
~3	~6	~10	~18	~30	~50	~80	~120	~180	~250	~315	~400	~500	±2'
±0.12	±0.18	±0.22	±0.26	±0.31	±0.37	±0.57	±0.80	±0.93	±1.05	±1.15	±1.60	±2.50	

ITEM	NAME OF PART	MATERIAL	NOTES
5	Cover	PA66	UL94V-0
4	Housing	PA66	UL94V-0
3	Button	PA66	UL94V-0
2	Small Pin header	Copper alloy	Sn Plated
1	Big Pin header	Copper alloy	Sn Plated

UL 标准/UL Standard:	B	C	D
额定电压/电流/Rated Voltage(V)/Current(A)	300/2	300/2	/
IEC 标准/IEC Standard:			
过压类别/Overvoltage Category/污染等级/Pollution Degree	III/3	III/2	II/2
额定电压/电流/Rated Voltage(V)/Current(A)	/	250/2	/
工频耐压/Withstanding voltage(V/1Min)	AC2000		
线径范围(硬线和软线)/Wire Range(rigid and flexible)(AWG/mm²)	24~20 / 0.2~0.5		
间距/Pitch(mm)/线数范围/Poles	2.5/N=02~24P		
剥线长度/Stripping length(mm)	8.5~9.5		
使用温度范围/Operating temperature(°C)	-40~+105		
符合RoHS环保要求/Conform to RoHS	Yes		



MATERIAL: /	SURFACE/COLOR: /
MAT NO./REV: - / 00	MAT STATUS: 批量

APPD: 兰春华	2023.03.27
CHKD: 陈招	2023.03.27
DRFT: 柳学龙	2023.03.27

NAME				
DG250-2.5-XXP-1Y-01Z(H)				

REV	ECN	DESCRIPTION	DRFT	DATE
00			柳学龙	2023.03.27

DRAWING NO.	TYPE	DRAWING STATUS	SCALE	SHEET
200025828	CUSTOMER DRAWING	已发布	3:1	1/1

Transfer or duplication of this document as well as the utilization or communication of its content are prohibited unless authorized in writing by DEGSON. All rights reserved for patent. 除专利等明确标注外，其他内容均受版权保护。未经授权，不得复制或传播。 除专利等明确标注外，其他内容均受版权保护。 除专利等明确标注外，其他内容均受版权保护。