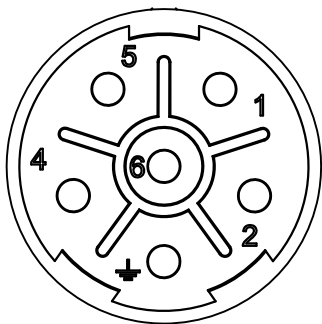
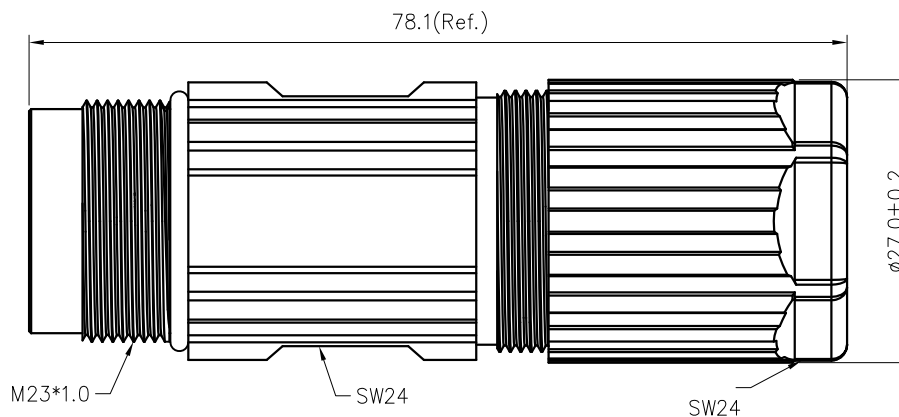
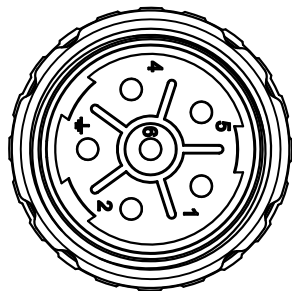


Dimensional tolerance(mm)					0.10/10 ±2°
0 ~ 30	>30 ~ 60	>60 ~ 100	>100 ~ 150	>150	
±0.25	±0.35	±0.55	±0.80	±1.10	

额定电压电流/Rated Voltage/Current	630V/28A
耐电压/Withstanding voltage	AC4000V/1Min
使用温度范围/Operating temperature(°C)	-40~+125°C
防水等级/Levels of protection	IP67
接线方式/Wire connection mode	Crimping
线径范围/Wire range	12~14AWG
线材直径/Cable OD	8.5~12mm
符合RoHS环保要求/Conform to RoHS	Yes



Pin Assignments  
Front View

REV	ECN	DESCRIPTION	DRFT	DATE

MATERIAL: /	SURFACE: /	
MAT.NO.: 20050000004	宁波高松电子有限公司 NINGBO DEGSON ELECTRICAL CO., LTD	
STATUS: /	Description: PCSH-M23P-06P-FF-SL7001-00A(H)	
APPD: /	DRAWING NO.: /	
CHKD: /	REV 00	
DRFT: Zhao T 2022.08.04	TYPE: CUSTOMER DRAWING	
SIZE: A4	mm (inch)	SCALE: 1:1 SHEET 1/1

Transfer or duplication of this document as well as the utilization or communication of its contents are prohibited unless explicit authorization is granted. Violations will be liable for compensation. All rights reserved for patent, utility, model or designs registrations. 除非给予明确授权，否则禁止转让、复制、利用、交易本文件的内容。侵犯者将承担法律责任。本公司保留就涉及发明、实用新型和外观设计的所有权利。