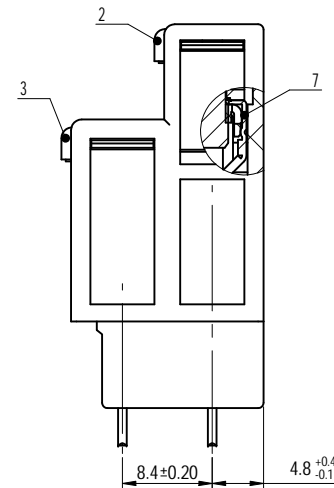
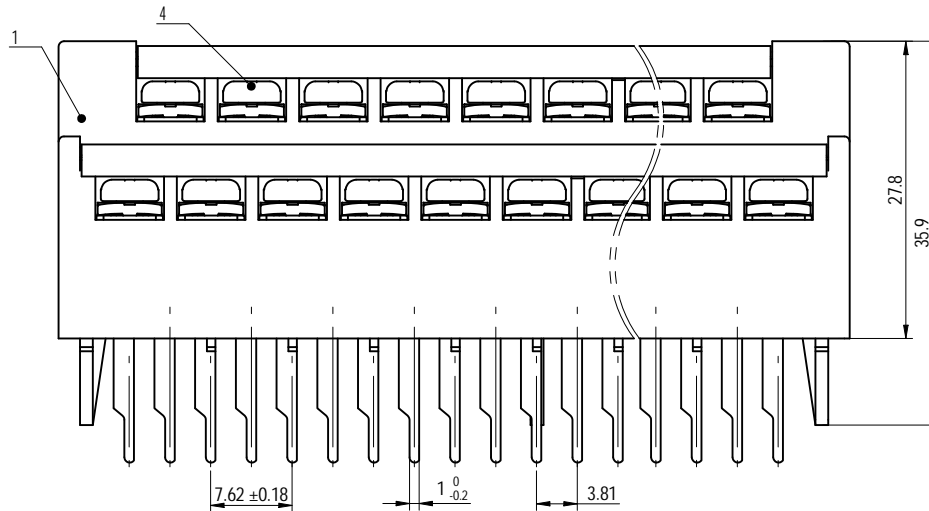
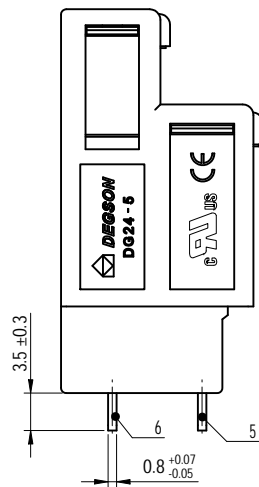
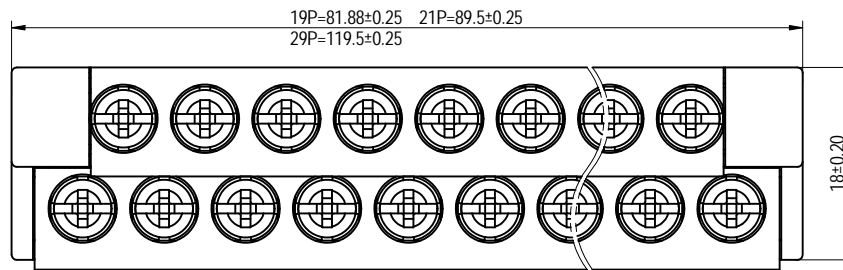
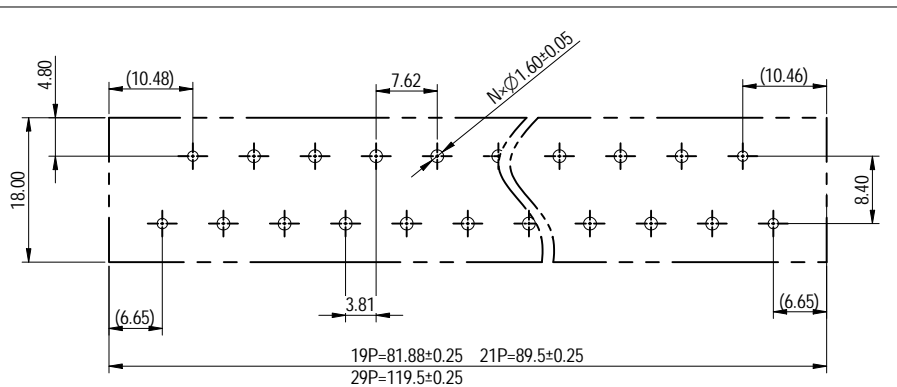


公差表 (General tolerances in mm)													D		
0	>3	>6	>10	>18	>30	>50	>80	>120	>180	>250	>315	>400	>500	0.1/10	±2
~3	~6	~10	~18	~30	~50	~80	~120	~180	~250	~315	~400	~500	~2.50		
±0.12	±0.18	±0.22	±0.26	±0.31	±0.37	±0.57	±0.80	±0.93	±1.05	±1.15	±1.60	±2.20	±2.50		



PCB LAYOUT



Notes: The A&Z (H) in the name means:A(H) and Z(H)

ITEM	NAME OF PART	MATERIAL	NOTES
7	Pin Header Fastener	SPCC	M3/Zn Plated
6	Pin Header Long	Copper	Sn Plated
5	Pin Header Short	Copper	Sn Plated
4	Screw	Steel	M3/Ni Plated
3	Cover 2	PC	UL94V-2
2	Cover 1	PC	UL94V-2
1	Housing	PBT	UL94V-0

UL 标准/UL Standard:	B	C	D
额定电压/电压/Rated Voltage(V)/Current(A)	300/8	/	/
工频耐压/Withstanding Voltage	AC2300V/1Min		
螺丝扭矩/Torque Tightening(N·m/Lb.in)	M3: 4.5(Max13.3)		
线径范围(硬线和软线)/Wire Range(rigid and flexible)(AWG)	22-14		
间距/Pitch(mm)/线数范围/Poles	7.62/N=19,21,29P		
使用温度范围/Operating temperature(°C)	-30~+120		
符合RoHS环保要求/Conform to RoHS	Yes		

DEESON MATERIAL: / SURFACE/COLOR: /
 MAT NO./REV: - / 00 MAT STATUS: 批量

APPD: 蓝美凡 2023.11.07 NAME: DG24-5-XXP-1Y-00A&Z(H)
 CHKD: 曹利彬 2023.11.07
 DRFT: 曹利彬 2023.11.07

REV	ECN	DESCRIPTION	DRFT	DATE	DRAWING NO.	TYPE	DRAWING STATUS	SCALE	SHEET
00	/	/	曹利彬	2023.11.07	200111585	CUSTOMER DRAWING	已发布	1:1	1/1

00	/	/	曹利彬	2023.11.07	DRAWING NO.	TYPE	DRAWING STATUS	SCALE	SHEET
REV	ECN	DESCRIPTION	DRFT	DATE	200111585	CUSTOMER DRAWING	已发布	1:1	1/1

Transfer or duplication of this document as well as the utilization of its contents without the written permission of DEESON is prohibited. All rights reserved for patent.