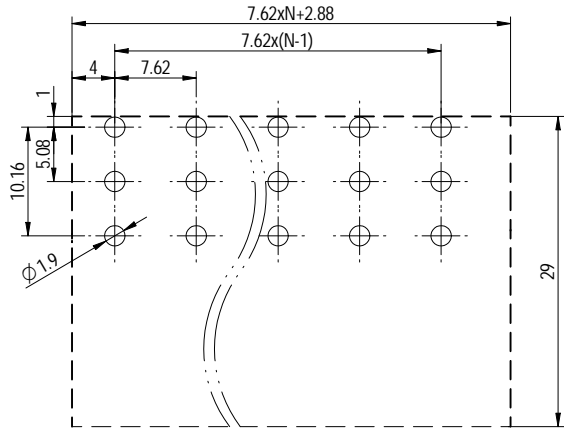
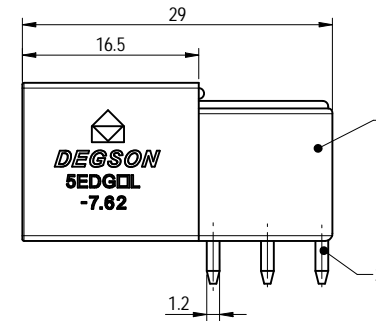
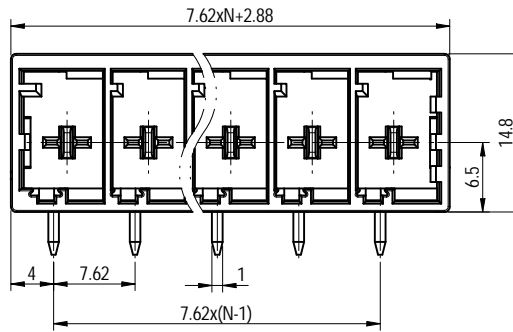
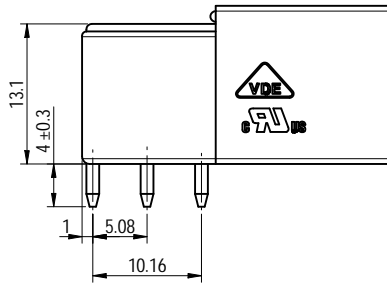
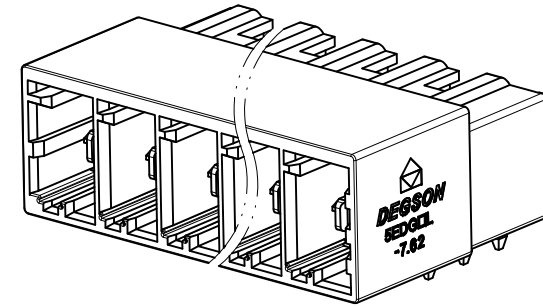
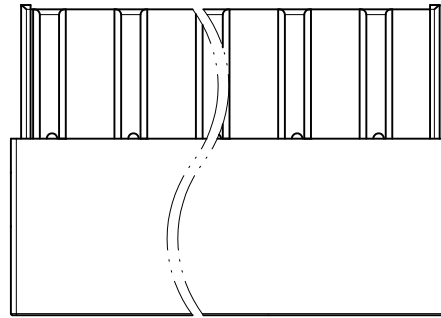


PCB LAYOUT



公差/General tolerances (mm)													D	
0	>3	>6	>10	>18	>30	>50	>80	>120	>180	>250	>315	>400	>500	0.1/10
~3	~6	~10	~18	~30	~50	~80	~120	~180	~250	~315	~400	~500	~500	±2
±0.12	±0.18	±0.22	±0.26	±0.31	±0.37	±0.57	±0.80	±0.93	±1.05	±1.15	±1.60	±2.20	±2.50	



2	Pin	Copper	Sn Plated
1	Housing	PBT+GF	UL94V-0
ITEM	NAME OF PART	MATERIAL	NOTES

UL 标准/UL Standard	B	C	D	F
额定电压/电流/Rated Voltage(V)/Current(A)	300/42	300/42	600/5	600/42
IEC 标准/IEC Standard				
过压类别/Overvoltage Category/污染等级/Pollution Degree	III/3	III/2	II/2	
额定电压/电流/Rated Voltage(V)/Current(A)	500/41	630/41	1000/41	
额定脉冲电压(KV)/Rate Impulse Voltage(KV)	6	6	6	
间距/Pitch(mm)/线数范围/Poles	7.62/N= 02~ 12P			
使用温度范围/Operating temperature(°C)	-30~ +110			
符合RoHS环保要求/Conform to RoHS	Yes			

DEGSON		MATERIAL:	SURFACE/COLOR:		
APPD: 竺春华	2023.09.25	MAT NO./REV:	/ 00	MAT STATUS: 批量	
CHKD: 吴耀志	2023.09.25	NAME: 5EDGRL-7.62-XXP-1Y-00Z(H)			
DRAFT: 吴明慧	2023.09.23	DRAWING NO.	TYPE	DRAWING STATUS	SCALE
		200076346	CUSTOMER DRAWING	已发布	2:1
				SHEET	1/1

02	2Add a Mark for VDE certification, Change ambient temperature.	吴明慧	2023.09.23	
REV	ECN	DESCRIPTION	DRFT	DATE

Transfer or duplication of this document as well as the utilization of its contents without the written consent of the manufacturer is prohibited. All rights reserved for patent. 本文件及其内容之复制或未经制造商书面同意之利用均被禁止。保留所有权利。 未经授权复制或传播本文件及其内容均被禁止。保留所有权利。 未经授权复制或传播本文件及其内容均被禁止。保留所有权利。