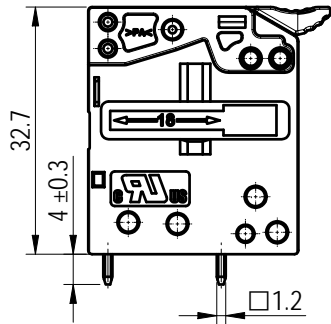
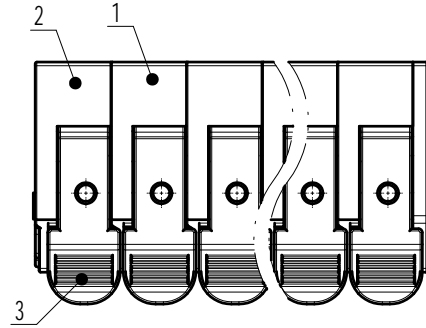
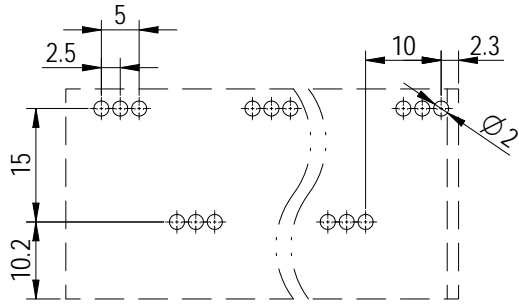
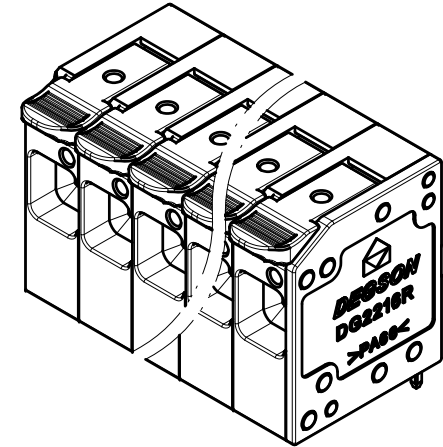
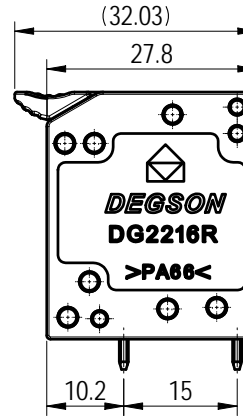
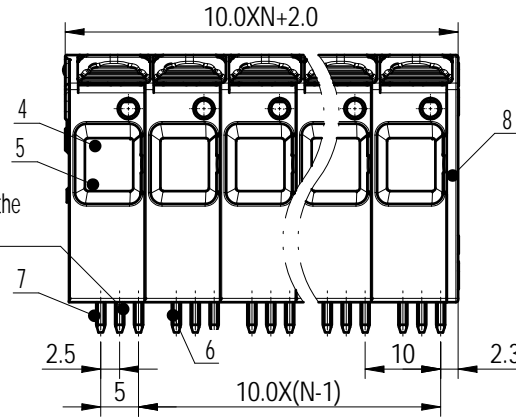


PCB LAYOUT



The first foot from the left side is rear



未注公差/General tolerances (mm)												0.1/10		
0	>3	>6	>10	>18	>30	>50	>80	>120	>180	>250	>315		>400	>500
±0.12	±0.18	±0.22	±0.26	±0.31	±0.37	±0.57	±0.80	±0.93	±1.05	±1.15	±1.60	±2.20	±2.50	±2'

UL 标准/UL Standard:	B	C	D
额定电压/电流/Rated Voltage(V)/Current(A)	600/66	600/66	/
IEC 标准/IEC Standard:			
过压类别/Overvoltage Category/污染等级/Pollution Degree	III/3	III/2	II/2
额定电压/电流/Rated Voltage(V)/Current(A)	1000/76	1000/76	1000/76
额定脉冲电压(KV)/Rate Impulse Voltage(KV)	8	8	8
线径范围(硬线和软线)/Wire Range(rigid and flexible)(AWG/mm ²)	18~4 / 0.2~16.25(sol)		
间距/Pitch(mm)/线数范围/Poles	10.0/N=02~12P		
剥线长度/Stripping length(mm)	18~20		
使用温度范围/Operating temperature(°C)	-40~+105		
符合RoHS环保要求/Conform to RoHS	Yes		

Note:
The A&Z(H) in the name means: A(H) and Z(H).

ITEM	NAME OF PART	MATERIAL	NOTES
8	Cover	PA66	UL94V-0
7	Back Pin header	Copper	Sn Plated
6	Fornt Pin header	Copper	Sn Plated
5	Spring	Stainless steel	/
4	Block	Stainless steel	/
3	Lever	PA66-GF	UL94V-0
2	Back Housing	PA66	UL94V-0
1	Front Housing	PA66	UL94V-0

		MATERIAL:	SURFACE/COLOR:		
APPD: 兰春华	2022.12.01	MAT NO./REV:	/ 00		
CHKD: 陈招	2022.12.01	NAME			
DRFT: 陈招	2022.12.01	DG2216R-10.0-DB-XXP-1Y-00A&Z(H)			
REV	ECN	DESCRIPTION	DRAWING NO.	TYPE	DRAWING STATUS
00		陈招	200112285	CUSTOMER DRAWING	已发布
DRFT	DATE	DRFT	SCALE	SHEET	
陈招	2022.12.01	陈招	1:1	1/1	

Transfer or duplication of this document as well as the utilization or communication of its contents are prohibited unless explicit authorization is granted. Violations will be liable for compensation. All rights reserved for patent, utility model or design registrations. 除非得到明确授权, 否则禁止再行出版、复制、说明、交流本文件中的内容。 侵犯专利权和外观设计权者, 公司将依法追究法律责任。