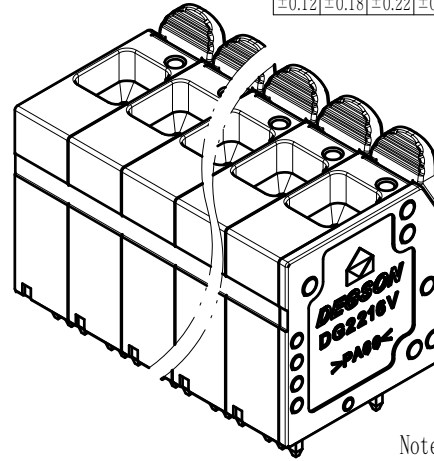
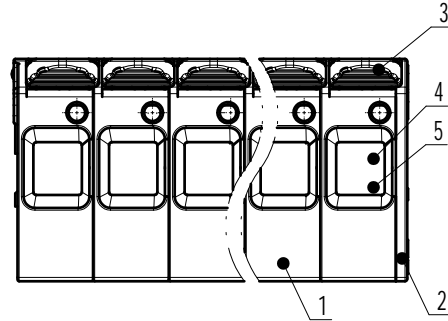
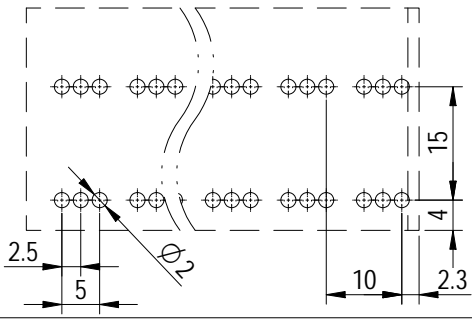


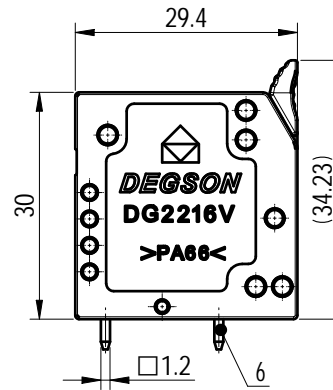
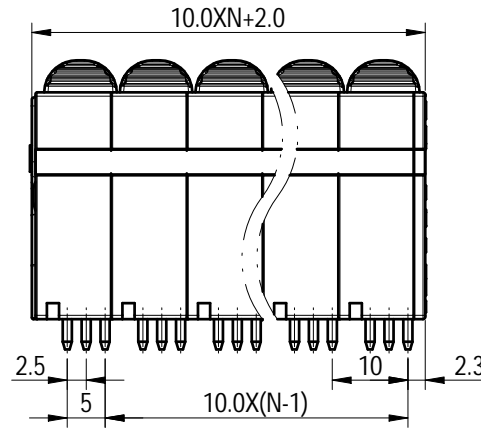
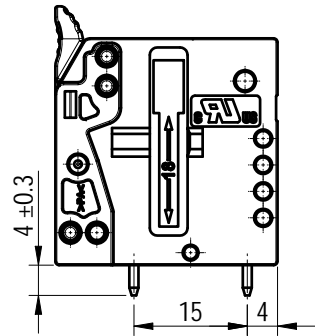
PCB LAYOUT



未注公差/General tolerances (mm)													0.1/10
0	>3	>6	>10	>18	>30	>50	>80	>120	>180	>250	>315	>400	
~3	~6	~10	~18	~30	~50	~80	~120	~180	~250	~315	~400	~500	±2°
±0.12	±0.18	±0.22	±0.26	±0.31	±0.37	±0.57	±0.80	±0.93	±1.05	±1.15	±1.60	±2.20	

Note:
The A&Z(H) in the name means: A(H) and Z(H).

ITEM	NAME OF PART	MATERIAL	NOTES
6	Pin header	Copper	Sn Plated
5	Spring	Stainless steel	/
4	Block	Stainless steel	/
3	Lever	PA66-GF	UL94V-0
2	Cover	PA66	UL94V-0
1	Housing	PA66	UL94V-0



N=01P			
UL 标准/UL Standard:	B	C	D
额定电压/电流/Rated Voltage(V)/Current(A)	600/66	600/66	/
IEC 标准/IEC Standard:			
过压类别/Overvoltage Category/污染等级/Pollution Degree	III/3	III/2	II/2
额定电压/电流/Rated Voltage(V)/Current(A)	1000/76	1000/76	1000/76
额定脉冲电压(KV)/Rate Impulse Voltage(KV)	8	8	8
N=02-12P			
UL 标准/UL Standard:	B	C	D
额定电压/电流/Rated Voltage(V)/Current(A)	300/66	150/66	300/10
IEC 标准/IEC Standard:			
过压类别/Overvoltage Category/污染等级/Pollution Degree	III/3	III/2	II/2
额定电压/电流/Rated Voltage(V)/Current(A)	400/76	400/76	630/76
额定脉冲电压(KV)/Rate Impulse Voltage(KV)	4	4	4
线径范围(硬线和软线)/Wire Range (rigid and flexible)(AWG/mm ²)	18~4 / 0.2~16.25(sol)		
剥线长度/Stripping length(mm)	18~20		
使用温度范围/Operating temperature(°C)	-40~+105		
符合RoHS环保要求/Conform to RoHS	Yes		



MATERIAL:	SURFACE/COLOR:
MAT NO./REV: / 00	MAT STATUS: 批量

APPD: 兰春华 2022.12.02	NAME
CHKD: 陈招 2022.12.02	DG2216V-10.0-XXP-1Y-00A&Z(H)
DRFT: 陈招 2022.12.02	

REV	ECN	DESCRIPTION	DRFT	DATE	200123923	CUSTOMER DRAWING	已发布	SCALE 1:1	SHEET 1/1
00			陈招	2022.12.02					

Transfer or duplication of this document as well as the utilization or communication of its contents are prohibited unless explicit authorization is granted. Violations will be liable for compensation. All rights reserved for patent, utility model or design registrations. 除非得到明确授权,否则禁止复制或传播,否则将承担法律责任。未经授权,不得复制或传播,否则将承担法律责任。All rights reserved for patent, utility model or design registrations.