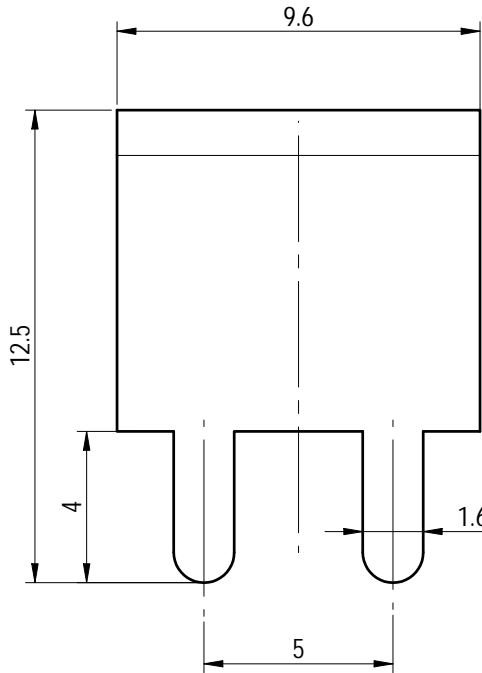


M4

9.6

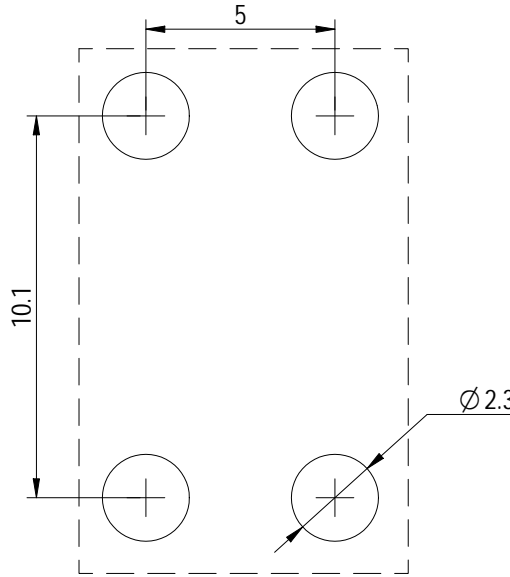


12.5

4

1.6

5

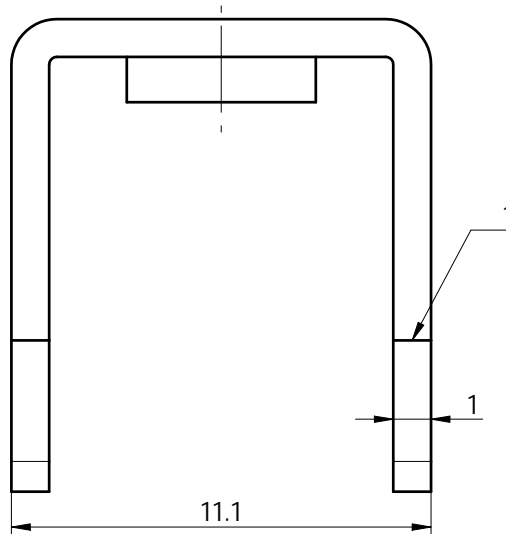


5

10.1

Ø2.3

PCB LAYOUT



11.1

1

1

未注公差/General tolerances (mm)

0	>3	>6	>10	>18	>30	>50	>80	>120	>180	>250	>315	>400	>500	0.1/10 ±2'
~3	~6	~10	~18	~30	~50	~80	~120	~180	~250	~315	~400	~500		
±0.12	±0.18	±0.22	±0.26	±0.31	±0.37	±0.57	±0.80	±0.93	±1.05	±1.15	±1.60	±2.20	±2.50	

Note: The A&Z(H) in the name means: A(H) and Z(H).

1	Pin header	Copper alloy	Sn Plated
ITEM	NAME OF PART	MATERIAL	NOTES

额定电流/Rated Current(A)	40A
螺丝扭矩/Tightening torque(N·m/Lb.in)	M4, 1.2/10.53
符合RoHS环保要求/Conform to RoHS	Yes



MATERIAL:	SURFACE/COLOR:
MAT NO./REV: 10900000042-1 / 00	MAT STATUS: 批量

APPD: 蓝贵凡	2023.04.25
CHKD: 曹利彬	2023.04.25
DRFT: 姜民洁	2023.04.25

NAME				
K31-00A&Z(H)				

00					
REV	ECN	DESCRIPTION	DRFT	DATE	

DRAWING NO.	TYPE	DRAWING STATUS	SCALE	SHEET
200120781	CUSTOMER DRAWING	已发布	2:1	1/1

1	2	3	4	5	6
---	---	---	---	---	---

Transfer or duplication of this document as well as the utilization or communication of its contents are prohibited unless authorized in writing by the copyright owner. All rights reserved for patent, utility model or design registrations. 除专利等明确标注外，否则禁止转让、复制、引用、或在本文件内容基础上进行二次开发。未经权利人书面许可，不得复制或传播本文件内容。保留所有权利，侵权必究。