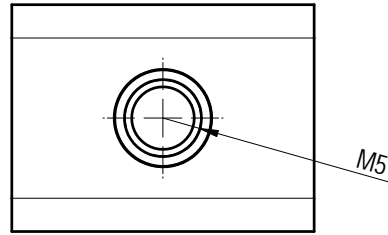
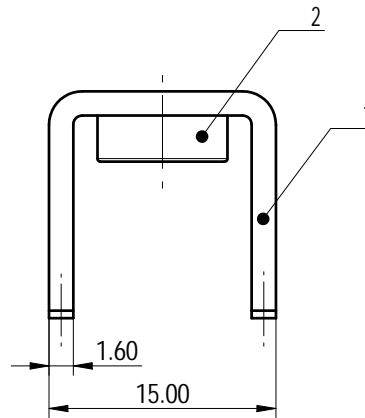
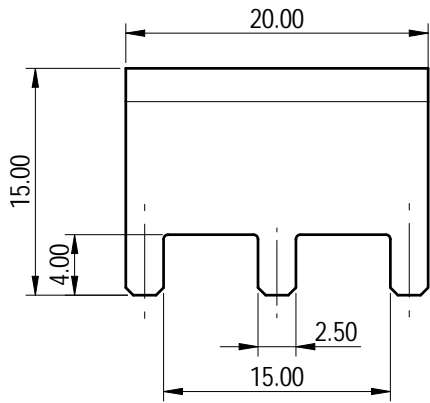
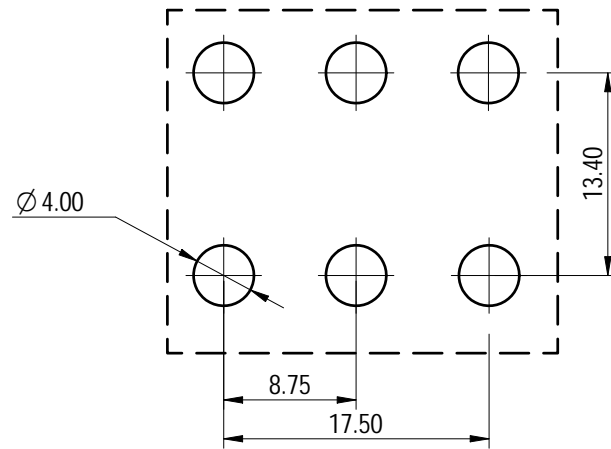


未注公差/General tolerances (mm)													0.1/10
0	>3	>6	>10	>18	>30	>50	>80	>120	>180	>250	>315	>400	
~3	~6	~10	~18	~30	~50	~80	~120	~180	~250	~315	~400	~500	
±0.12	±0.18	±0.22	±0.26	±0.31	±0.37	±0.57	±0.80	±0.93	±1.05	±1.15	±1.60	±2.20	±2.50



M5

PCB LAYOUT



Note: The A&Z(H) in the name means: A(H) and Z(H).

ITEM	NAME OF PART	MATERIAL	NOTES
2	Nut	Stainless steel	M5
1	Pin header	Copper	Sn Plated

UL 标准/UL Standard:	
额定电流/Rated Current(A)	115
螺丝扭矩/Torque Tightening(N·m/Lb.in)	M5, 4.0/35.4
符合RoHS环保要求/Conform to RoHS	Yes

DEGSON		MATERIAL:	SURFACE/COLOR:		
APPD: 蓝贵凡 2023.02.27		MAT NO./REV: 10900000051-1 / 00		MAT STATUS: 批量	
CHKD: 曹利彬 2023.02.27		NAME			
DRFT: 委员洁 2023.02.27		K36-02A&Z(H)			
DRAWING NO.	TYPE	DRAWING STATUS	SCALE	SHEET	
200102799	CUSTOMER DRAWING	已发布	2:1	1/1	

REV	ECN	DESCRIPTION	DRFT	DATE
00				

Transfer or duplication of this document as well as the utilization or communication of its contents are prohibited unless authorized in writing by the copyright owner. All rights reserved for patent, utility model or design registrations. 除专利等明确标注外, 否则禁止转让、复制、引用、交流等文件的传播。 未经权利人许可, 擅自复制或传播文件, 均属于侵权行为, 公司将依法追究法律责任。