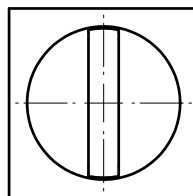
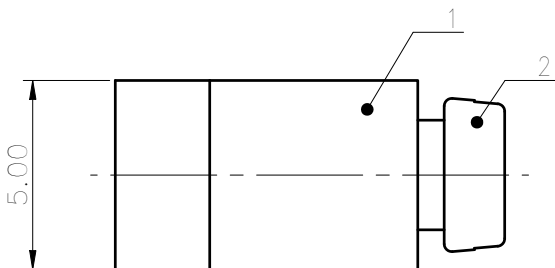
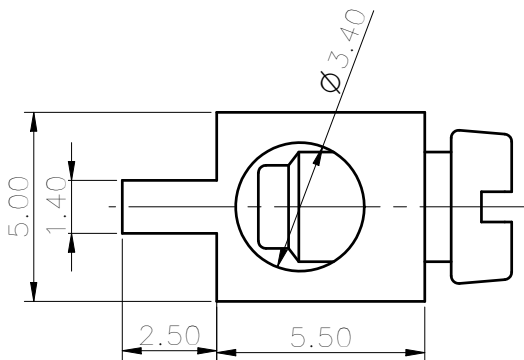


未注公差/General tolerances(mm)														
0	>3	>6	>10	>18	>30	>50	>80	>120	>180	>250	>315	>400	0.1/10	
~3	~6	~10	~18	~30	~50	~80	~120	~180	~250	~315	~400	~500		
±0.12	±0.18	±0.22	±0.26	±0.31	±0.37	±0.57	±0.80	±0.93	±1.05	±1.15	±1.60	±2.20	±2.50	±2'



Note: The A&Z (H) in the name means: A (H) and Z (H).

ITEM	NAME OF PART	MATERIAL	NOTES
2	Screw	Steel	Zn plated
1	Cage	Copper alloy	Sn plated

螺丝扭矩/Torque Tightening(N·m/Lb.in)	M3, 0.5/4.3
符合 RoHS 环保要求/Conform to RoHS	Yes

		MATERIAL:	SURFACE/COLOR:	
APPD: 蓝贵凡	2024.04.01	MAT NO./REV: / 00	MAT STATUS: 批量	
CHKD: 曹利彬	2024.04.01	NAME: K30-00A&Z (H)		
DRFT: 孙科豪	2024.04.01	DRAWING NO. 200044963	TYPE: CUSTOMER DRAWING	DRAWING STATUS: 已发布
REV	ECN	DESCRIPTION	DRFT	DATE
00				
		SCALE: 5:1	SHEET: 1/1	

Transfer or duplication of this document as well as the utilization or communication of its contents are prohibited unless authorized. All rights reserved for patent, utility model or designs registrations. 非经许可擅自复制或传播, 否则禁止转让、复制、利用、交还本文件的内容。侵犯者将承担法律责任。本公司保留对涉及发明、实用新型和外观设计的所有权利。