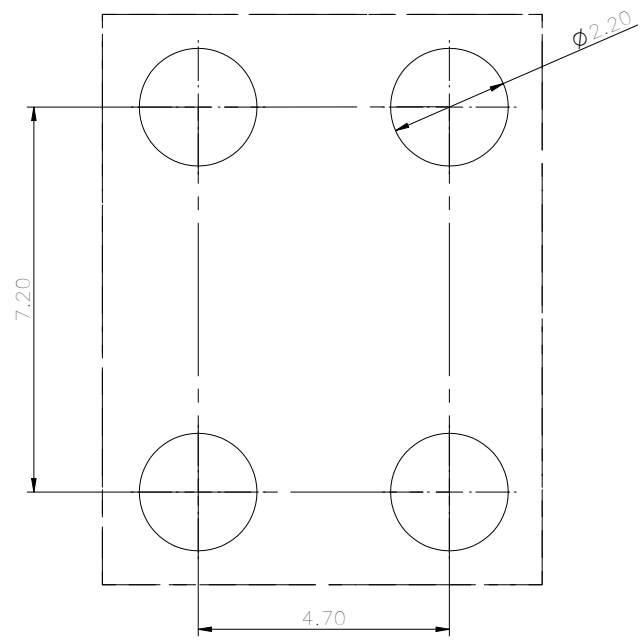
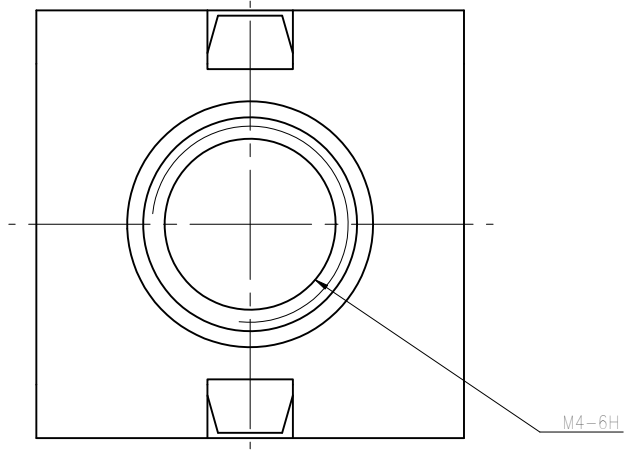
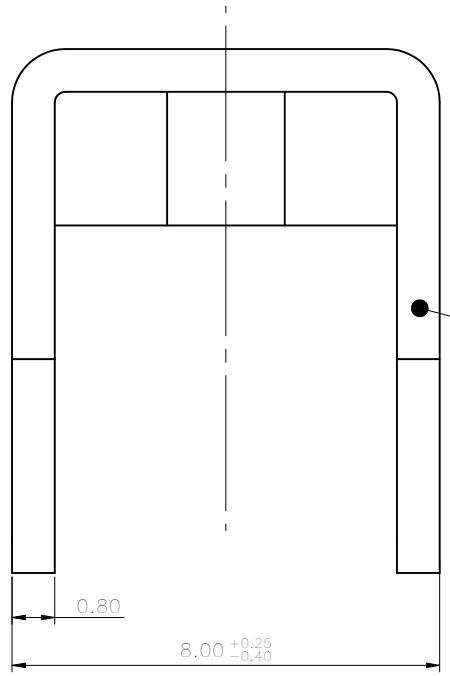
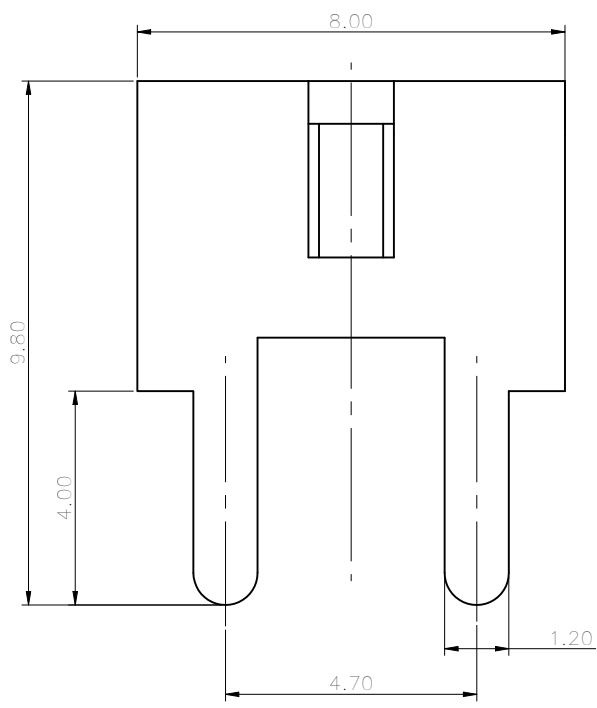


公差/General tolerances (mm)												D		
0	>3	>6	>10	>18	>30	>50	>80	>120	>180	>250	>315		>400	>500
~	~	~	~	~	~	~	~	~	~	~	~	~	~	0.1/10
±0.12	±0.18	±0.22	±0.26	±0.31	±0.37	±0.57	±0.80	±0.93	±1.05	±1.15	±1.60	±2.20	±2.50	±2



PCB LAYOUT



Notes: The A&Z(H) in the name means:A(H) and Z(H)

ITEM	NAME OF PART	MATERIAL	NOTES
1	Pin Header	Copper alloy	Sn Plated
UL 标准/UL Standard			
额定电流/Rated Current(A)			45
螺丝扭矩/Torque Tightening(N·m/Lb.in)			M4: 2.0/17.54
符合RoHS环保要求/Conform to RoHS			Yes

	MATERIAL:	SURFACE/COLOR:
	MAT NO./REV: 10900000103-1 / 00	MAT STATUS: 批量

APPD: 蓝美凡	2023.05.10	NAME:	K93-01A&Z(H)			
CHKD: 曹利彬	2023.05.10	DRAWING NO.:	200193532	TYPE:	CUSTOMER DRAWING	
DRAFT: 曹利彬	2023.05.10	DRAWING STATUS:	已发布	SCALE:	10:1	
REV: 00	ECN:	DESCRIPTION:		SHEET:	1/1	

00	/	曹利彬	2023.05.10
REV	ECN	DESCRIPTION	DRAFT DATE

Transfer or duplication of this document as well as the utilization of its contents without the written permission of DEGSON is prohibited. All rights reserved for patent.