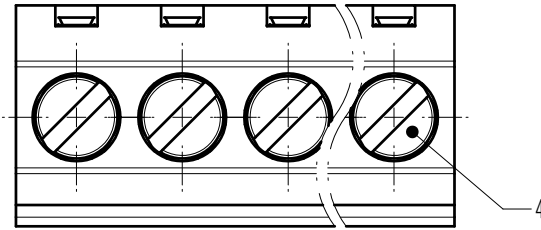
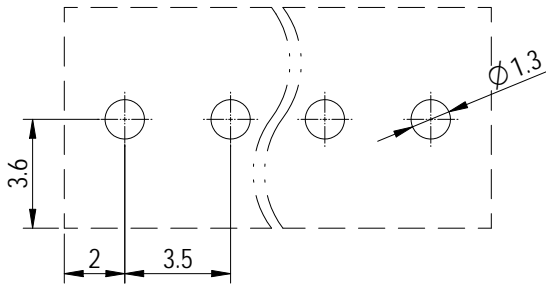
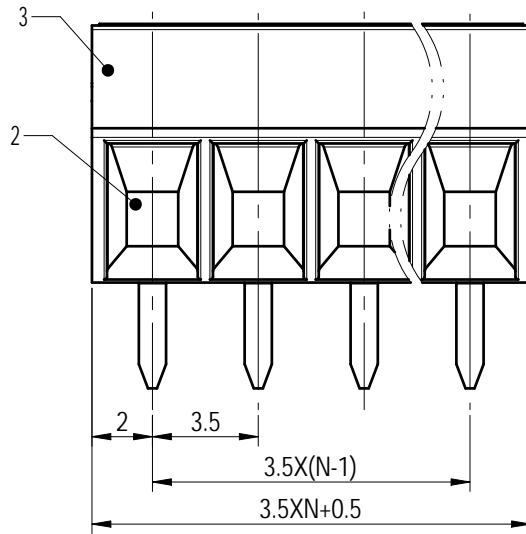
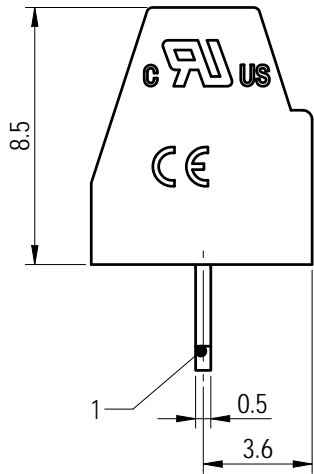
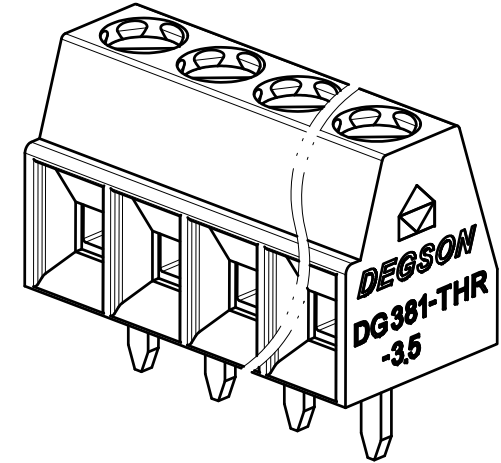


PCB LAYOUT



未注公差/General tolerances (mm)													0.1/10 ±2'
0	>3	>6	>10	>18	>30	>50	>80	>120	>180	>250	>315	>400	
~3	~6	~10	~18	~30	~50	~80	~120	~180	~250	~315	~400	~500	
±0.12	±0.18	±0.22	±0.26	±0.31	±0.37	±0.57	±0.80	±0.93	±1.05	±1.15	±1.60	±2.20	±2.50



Note:
The A&Z(H) in the name means: A(H) and Z(H).

ITEM	NAME OF PART	MATERIAL	NOTES
4	Pin Header	Copper Alloy	Sn Plated
3	Housing	Thermoplastic	UL94V-0
2	Cage	Copper Alloy	M2/Ni Plated
1	Screw	Steel	M2/Zn Plated

UL 标准/UL Standard:	B	C	D
额定电压/电流/Rated Voltage(V)/Current(A)	150/10	/	/
IEC 标准/IEC Standard:			
过压类别/Overvoltage Category/污染等级/Pollution Degree	III/3	III/2	II/2
额定电压/电流/Rated Voltage(V)/Current(A)	63/13.5	200/13.5	200/13.5
额定脉冲电压 (KV) /Rate Impulse Voltage (KV)	2.5	2.5	2.5
螺丝扭矩/Torque Tightening(N·m/Lb.in)	M2, 0.2/1.77		
线径范围(硬线和软线)/Wire Range(rigid and flexible)(AWG/mm²)	30~16/ 0.2~1.5		
间距/Pitch(mm)/线数范围/Poles	3.5/N=02~08P		
剥线长度/Stripping length(mm)	5~6		
使用温度范围/Operating temperature(°C)	-40~+130		
符合RoHS环保要求/Conform to RoHS	Yes		

DEGSON		MATERIAL:	SURFACE/COLOR:	
APPD: 兰春华	2023.03.02	MAT NO./REV:	/ 00	
CHKD: 陈招	2023.02.27	NAME		
DRFT: 龚徐涛	2023.02.27	DG381-THR-3.5-XXP-1Y-10A&Z(H)		
DRAWING NO.	TYPE	DRAWING STATUS	SCALE	SHEET
200048356	CUSTOMER DRAWING	已发布	4:1	1/1

REV	ECN	DESCRIPTION	DRFT	DATE
00			龚徐涛	2023.02.27

Transfer or duplication of this document as well as the utilization or communication of its content are prohibited unless authorized in writing. All rights reserved for patent, utility model or design registrations. 除专利等明确标注外, 未经许可, 不得复制或传播。 保留所有权利, 未经许可, 不得复制或传播。