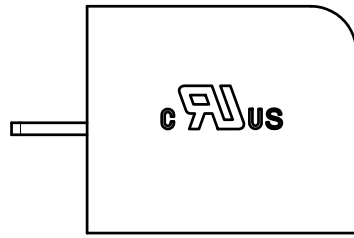
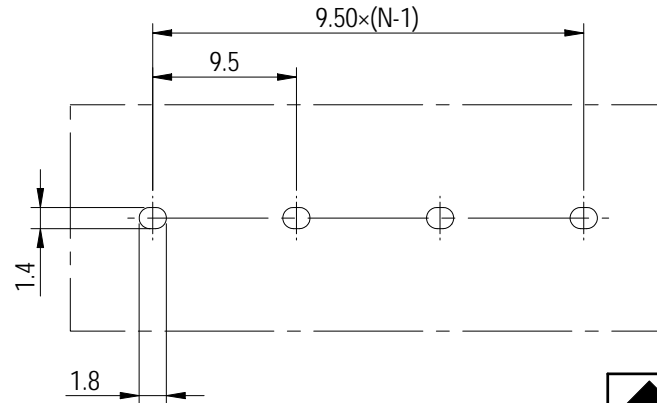
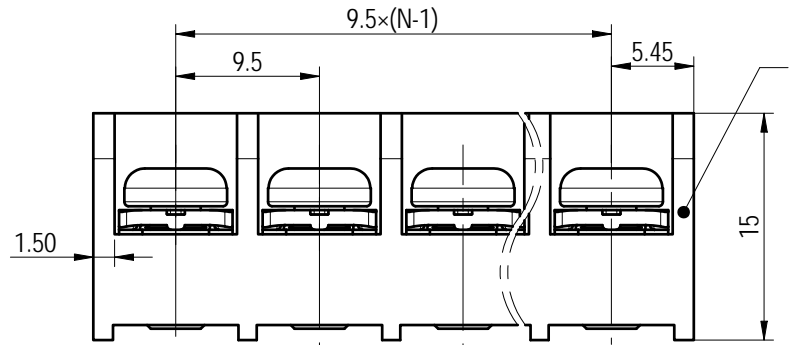
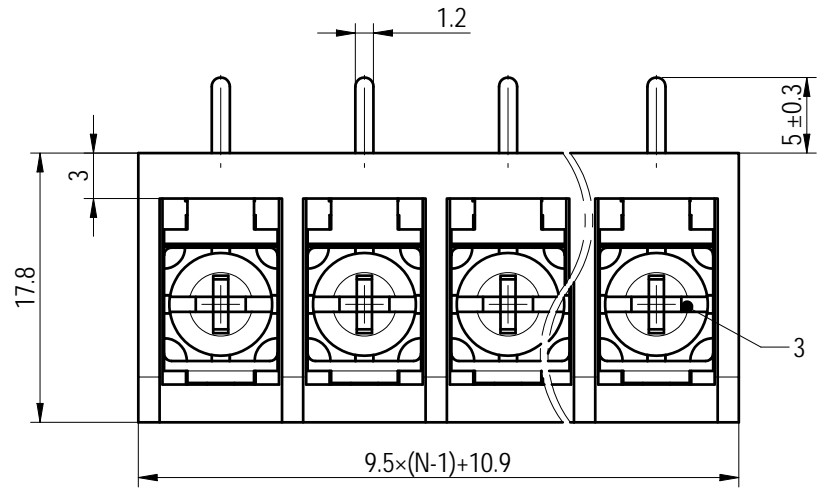
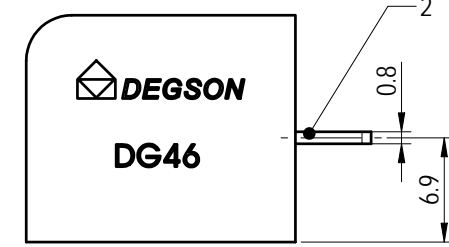


Transfer or duplication of this document as well as the utilization or communication of its content are prohibited unless authorized in writing by Degson. All rights reserved for patent. 未经授权复制或传播本文件内容，或在本文件基础上进行二次开发、修改、引用、发布等行为均属于侵权行为，公司将依法追究。产品规格如有变更恕不另行通知。



| 未注公差/General tolerances (mm) | | | | | | | | | | | | 0.1/10 | | |
|------------------------------|-------|-------|-------|-------|-------|-------|-------|-------|-------|-------|-------|--------|-------|------|
| 0 | >3 | >6 | >10 | >18 | >30 | >50 | >80 | >120 | >180 | >250 | >315 | | >400 | >500 |
| ±0.12 | ±0.18 | ±0.22 | ±0.26 | ±0.31 | ±0.37 | ±0.57 | ±0.80 | ±0.93 | ±1.05 | ±1.15 | ±1.60 | ±2.20 | ±2.50 | ±2' |

| UL 标准/UL Standard: | B | C | D |
|---|----------------|---|--------|
| 额定电压/电流/Rated Voltage(V)/Current(A) | 300/20 | / | 300/10 |
| IEC 标准/IEC Standard: | | | |
| 额定电压/电流/Rated Voltage(V)/Current(A) | 450 / 32 | | |
| 螺丝扭矩/Torque Tightening(N·m/Lb.in) | M4, 1.20/10.62 | | |
| 线径范围(硬线和软线)/Wire Range(rigid and flexible)(AWG) | 22~12 | | |
| 间距/Pitch(mm)/线数范围/Poles | 9.50/N=02~26P | | |
| 使用温度范围/Operating temperature(°C) | -40~+105 | | |
| 符合RoHS环保要求/Conform to RoHS | Yes | | |



Note:The A&Z (H) in the name means: A(H) and Z (H).

| ITEM | NAME OF PART | MATERIAL | NOTES |
|------|--------------|--------------|-----------|
| 3 | Screw | Steel | Ni Plated |
| 2 | Pin header | Copper alloy | Sn Plated |
| 1 | Housing | PA66 | UL94V-0 |

| DEGSON | | MATERIAL: | SURFACE/COLOR: | |
|-----------------------|------------|-------------------------|----------------|-------|
| APPD: 蓝贵凡 | 2023.06.29 | MAT NO./REV: | / 00 | |
| CHKD: 曹利彬 | 2023.06.29 | NAME | | |
| DRFT: 孙科豪 | 2023.06.29 | DG46R-B-XXP-1Y-00A&Z(H) | | |
| DRAWING NO. 200196524 | | TYPE | DRAWING STATUS | SCALE |
| A4 | | CUSTOMER DRAWING | 已发布 | 2:1 |
| (inch) | | SHEET | | 1/1 |

| REV | ECN | DESCRIPTION | DRFT | DATE |
|-----|-----|-------------|------|------|
| 00 | | | | |