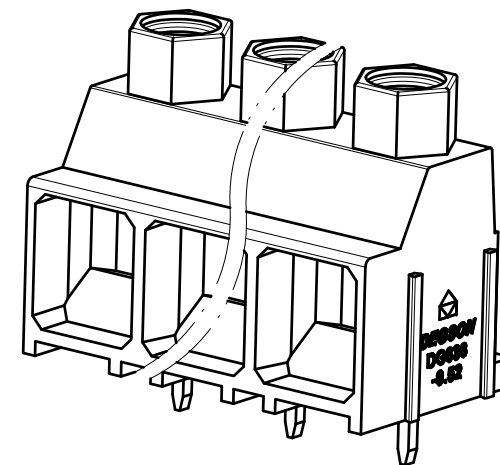
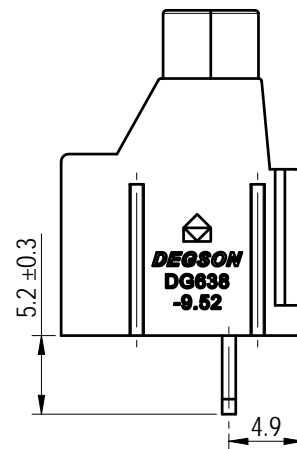
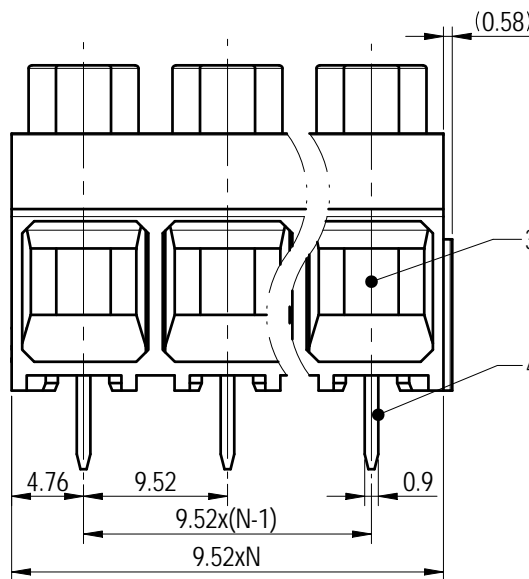
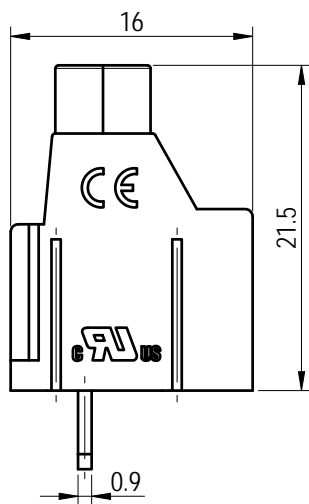
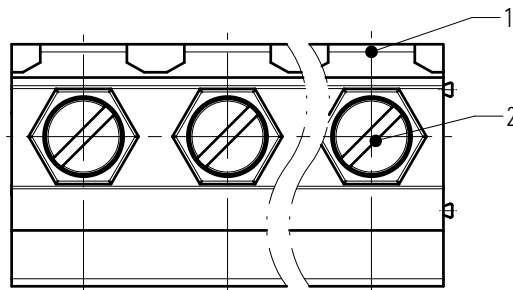
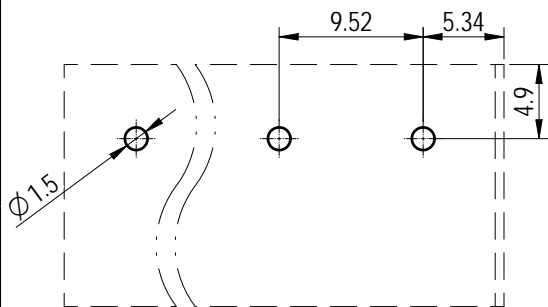


PCB LAYOUT



未注公差/General tolerances (mm)												0.1/10 ±2'	
0	>3	>6	>10	>18	>30	>50	>80	>120	>180	>250	>315		>400
~3	~6	~10	~18	~30	~50	~80	~120	~180	~250	~315	~400	~500	>500
±0.12	±0.18	±0.22	±0.26	±0.31	±0.37	±0.57	±0.80	±0.93	±1.05	±1.15	±1.60	±2.20	±2.50

UL 标准/UL Standard:	B	C	D
额定电压/电流/Rated Voltage(V)/Current(A)	300/30	300/30	600/5
IEC 标准/IEC Standard:			
过压类别/Overvoltage Category/污染等级/Pollution Degree	III/3	III/2	II/2
额定电压/电流/Rated Voltage(V)/Current(A)	800/32	1000/32	1000/32
额定脉冲电压(KV)/Rate Impulse Voltage(KV)	8	8	6
螺丝扭矩/Torque Tightening(N·m/Lb.in)	M3.5, 0.5/4.5(2P) 0.8/7.02(≥3P)		
线径范围(硬线和软线)/Wire Range(rigid and flexible)(AWG/mm²)	30~10 / 0.2~4.0		
间距/Pitch(mm)/线数范围/Poles	9.52/N=02~12P		
剥线长度/Stripping length(mm)	7~8		
使用温度范围/Operating temperature(°C)	-40~+105		
符合RoHS环保要求/Conform to RoHS	Yes		

Note:  
The A&Z(H) in the name means: A(H) and Z(H).

ITEM	NAME OF PART	MATERIAL	NOTES
4	Pin header	Copper	Sn plated
3	Cage	Copper alloy	M3.5/Ni plated
2	Screw	Steel	M3.5/Zn plated
1	Housing	PA66	UL94V-0

		MATERIAL:	SURFACE/COLOR:		
APPD: 兰春华	2022.10.27	MAT NO./REV: / 00	MAT STATUS: 批量		
CHKD: 陈招	2022.10.27	NAME			
DRFT: 柳学龙	2022.10.27	DG638-9.52-XXP-1Y-00A&Z(H)			
REV	ECN	DESCRIPTION	DRAWING NO.	TYPE	DRAWING STATUS
00		柳学龙	200025382	CUSTOMER DRAWING	已发布
DRFT	DATE	SCALE	TYPE	DRAWING STATUS	SHEET
柳学龙	2022.10.27	2:1	A4	已发布	1/1

Transfer or duplication of this document as well as the utilization or communication of its contents are prohibited unless authorized in writing by DEGSON. All rights reserved for patent. 除专利权明确授权外, 否则禁止转让、复制、引用、充数等文件的传播。 未经授权, 严禁复制或传播。 产品保留随时更改的权利。