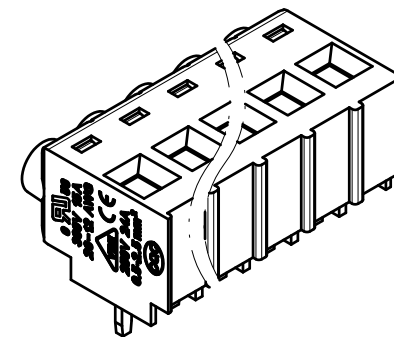
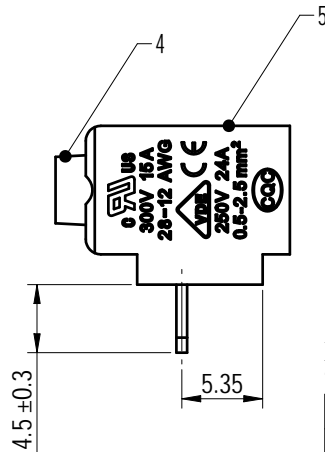
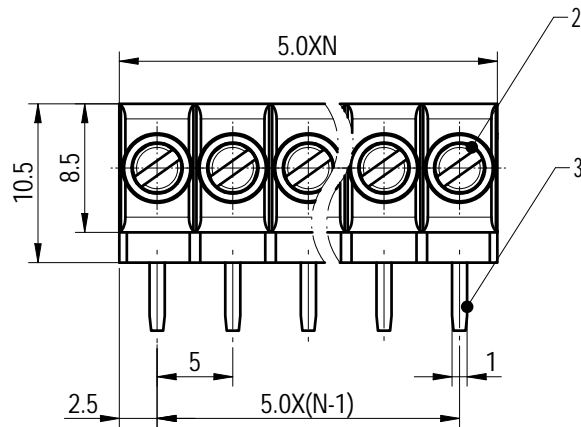
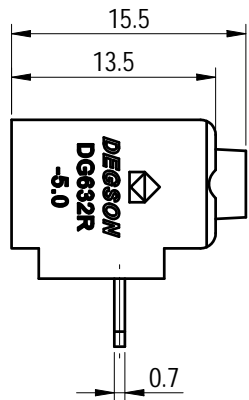
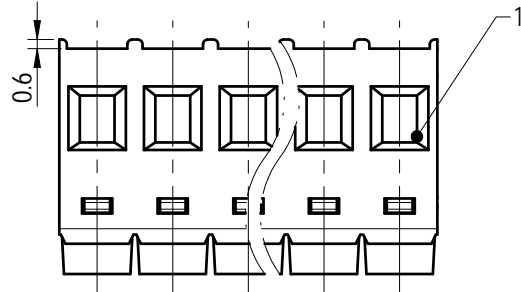
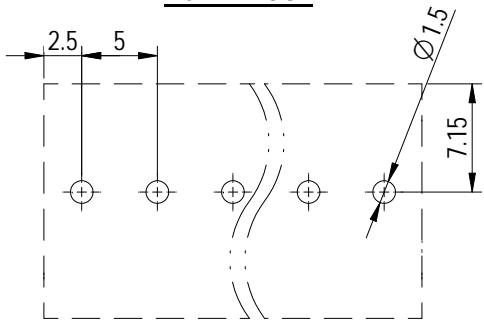


PCB LAYOUT



未注公差/General tolerances (mm)												0.1/10 ±2'	
0	>3	>6	>10	>18	>30	>50	>80	>120	>180	>250	>315		>400
~3	~6	~10	~18	~30	~50	~80	~120	~180	~250	~315	~400	~500	
±0.12	±0.18	±0.22	±0.26	±0.31	±0.37	±0.57	±0.80	±0.93	±1.05	±1.15	±1.60	±2.20	±2.50

UL 标准/UL Standard:	B	C	D
额定电压/电流/Rated Voltage(V)/Current(A)	300/15	/	300/10
IEC 标准/IEC Standard:			
过压类别/Overvoltage Category/污染等级/Pollution Degree	III/3	III/2	II/2
额定电压/电流/Rated Voltage(V)/Current(A)	/	250/24	/
绝缘耐压/Withstanding Voltage(V/min)	/	AC2500	/
螺丝扭矩/Torque Tightening(N·m/Lb.in)	M2.5, 0.4/3.6		
线径范围(硬线和软线)/Wire Range(rigid and flexible)(AWG/mm²)	28~12 / 0.5~2.5		
间距/Pitch(mm)/线数范围/Poles	5.0/N=02~20P		
剥线长度/Stripping length(mm)	5~6		
使用温度范围/Operating temperature(°C)	-40~+105		
符合RoHS环保要求/Conform to RoHS	Yes		

Note:  
The A&Z(H) in the name means :A(H) and Z(H).

ITEM	NAME OF PART	MATERIAL	NOTES
5	Housing	PA66	UL94V-0
4	Cover	PA66	UL94V-0
3	Pin header	Copper alloy	Sn Plated
2	Screw	Steel	M2.5/Zn Plated
1	Cage	Copper alloy	M2.5/Ni Plated

		MATERIAL: /	SURFACE/COLOR: /		
		MAT NO./REV: - / 00	MAT STATUS: 批量		
APPD: 兰春华	2022.09.29	NAME			
CHKD: 陈招	2022.09.28	DG632R-5.0-XXP-1Y-00A&Z(H)			
DRFT: 岑凯	2022.09.28	DRAWING NO.	TYPE	DRAWING STATUS	SCALE
		200027359	CUSTOMER DRAWING	已发布	2:1
				SHEET	1/1

REV	ECN	DESCRIPTION	DRFT	DATE
00			岑凯	2022.09.28

Transfer or duplication of this document as well as the utilization or communication of its contents are prohibited unless authorized in writing by DEGSON. All rights reserved for patent. 任何未经授权复制或传播本文件内容，或在本文件基础上进行任何修改、复制或传播，均属侵权行为。本公司保留对本文件的所有权利。