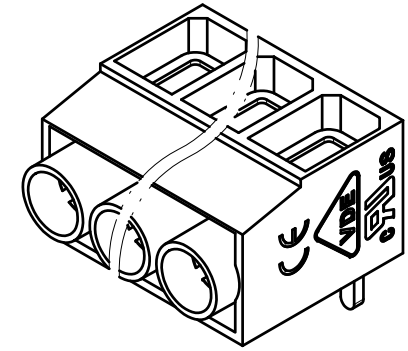
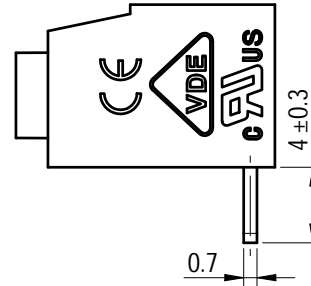
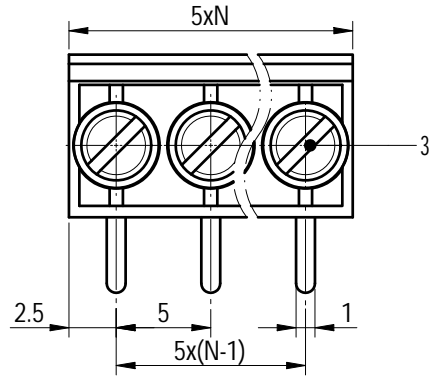
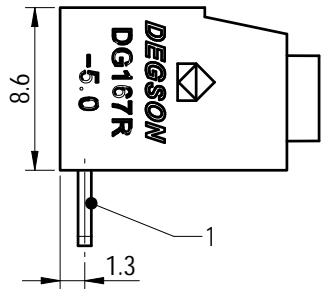
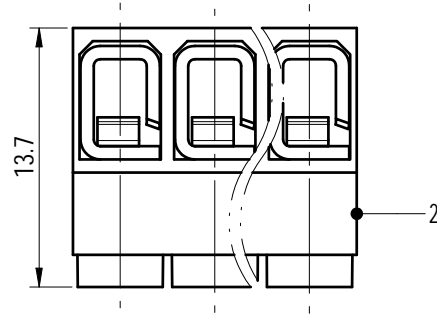
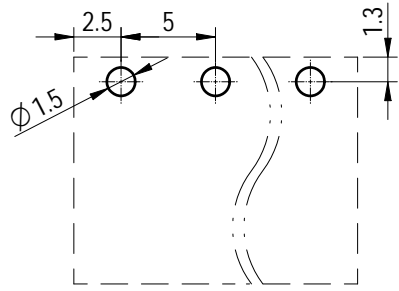


PCB LAYOUT



未注公差/General tolerances (mm)													0.1/10 ±2'	
0 ~ 3	>3 ~ 6	>6 ~ 10	>10 ~ 18	>18 ~ 30	>30 ~ 50	>50 ~ 80	>80 ~ 120	>120 ~ 180	>180 ~ 250	>250 ~ 315	>315 ~ 400	>400 ~ 500		>500
±0.12	±0.18	±0.22	±0.26	±0.31	±0.37	±0.57	±0.80	±0.93	±1.05	±1.15	±1.60	±2.20	±2.50	

UL 标准/UL Standard:	B	C	D
额定电压/电流/Rated Voltage(V)/Current(A)	300/15	/	300/10
IEC 标准/IEC Standard:			
过压类别/Overvoltage Category/污染等级/Pollution Degree	III/3	III/2	II/2
额定电压/电流/Rated Voltage(V)/Current(A)	/	250/22	/
工频耐压/Withstand voltage(V/1Min)	AC2000		
螺丝扭矩/Torque Tightening(N·m/Lb.in)	M2.5, 0.4/3.6		
线径范围(硬线和软线)/Wire Range(rigid and flexible)(AWG/mm²)	22~12 / 0.5~2.5		
间距/Pitch(mm)/线数范围/Poles	5.0/N=02~12P		
剥线长度/Stripping length(mm)	6~7		
使用温度范围/Operating temperature(°C)	-40~+105		
符合RoHS环保要求/Conform to RoHS	Yes		

Note:  
The A&Z(H) in the name means: A(H) and Z(H).

ITEM	NAME OF PART	MATERIAL	NOTES
3	Screw	Steel	M2.5/Zn plated
2	Housing	PA66	UL94V-0
1	Pin	Copper alloy	Sn Plated

		MATERIAL: /		SURFACE/COLOR: /	
APPD: 兰春华 2022.11.03		MAT NO./REV: - / 00		MAT STATUS: 批量	
CHKD: 陈招 2022.11.03		NAME			
DRFT: 柳学龙 2022.11.03		DG167R-5.0-XXP-1Y-00A&Z(H)			
DRAWING NO. 200025258		TYPE CUSTOMER DRAWING		DRAWING STATUS 已发布	
SCALE 2.5:1		SHEET 1/1			

REV	ECN	DESCRIPTION	DRFT	DATE
00			柳学龙	2022.11.03

Transfer or duplication of this document as well as the utilization or communication of its contents are prohibited unless authorized in advance. Violations will be treated as illegal activities and will be prosecuted. All rights reserved for patent. 除专利等明确标注外，其他标注均不作为侵权的依据。未经许可，不得复制或传播。本公司保留对产品及设计进行修改的权利。