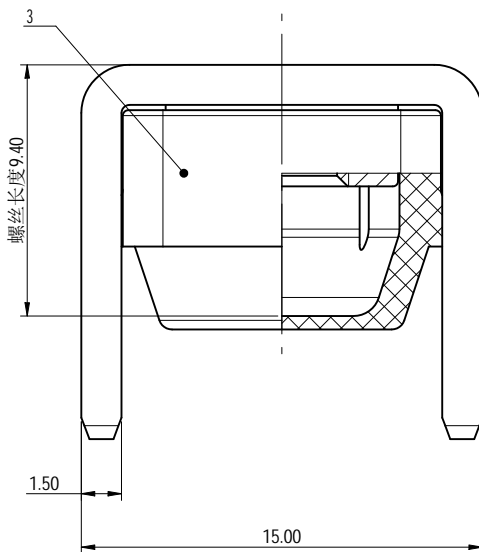
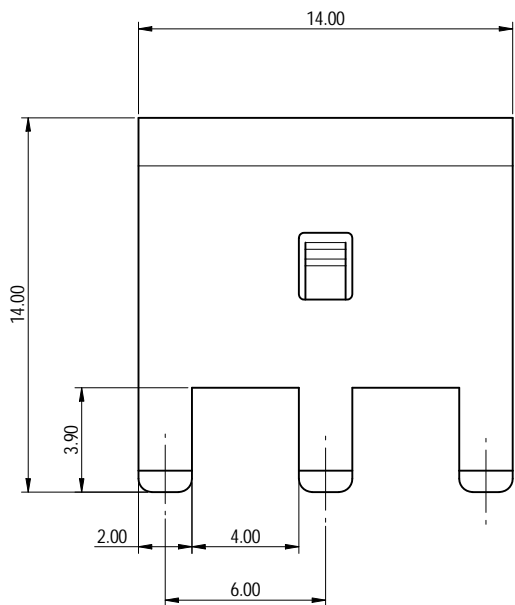
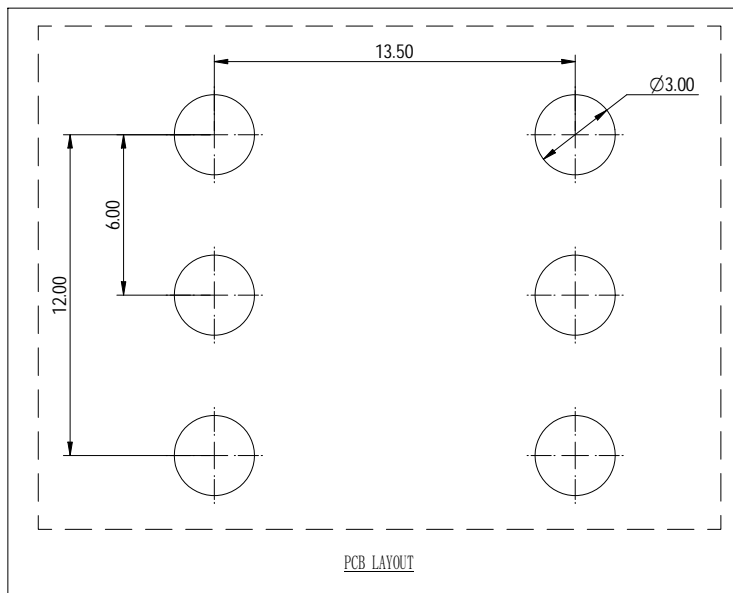
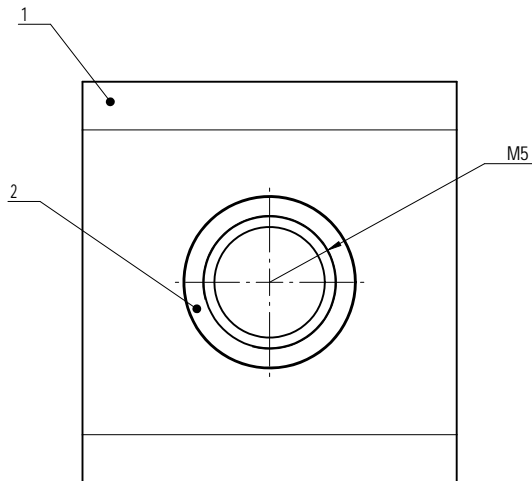


公差/General tolerances (mm)											D			
0	>3	>6	>10	>18	>30	>50	>80	>120	>180	>250		>315	>400	>500
~	~	~	~	~	~	~	~	~	~	~	~	~	~	0.1/10
±0.12	±0.18	±0.22	±0.26	±0.31	±0.37	±0.57	±0.80	±0.93	±1.05	±1.15	±1.60	±2.20	±2.50	±2



Note: The A&Z (H) in the name means: A(H) and Z(H).

ITEM	NAME OF PART	MATERIAL	NOTES
3	Housing	LCP	UL94V-0
2	Nut	Steel	Zn Plated
1	Pin header	Copper alloy	Sn Plated
额定电流/Rated Current(A)		92A	
螺丝扭矩/Torque Tightening(N·m/Lb.in)		M5: 4.0/35.44	
符合RoHS环保要求/Conform to RoHS		Yes	

DEGSON		MATERIAL:		SURFACE/COLOR:	
APPD: 蓝美凡	2023.11.09	MAT NO./REV: 10900000311-1 / 00	MAT STATUS: 批量		
CHKD: 曹利影	2023.11.09	NAME: K51-12A&Z(H)			
DRFT: 姜民浩	2023.11.09	DRAWING NO. 200197059	TYPE: CUSTOMER DRAWING	DRAWING STATUS: 已发布	SCALE: 1:1
REV: 01	ECN:	DESCRIPTION: 修改零件材料	DRFT: 姜民浩	DATE: 2023.11.09	SHEET: 1/1

REV	ECN	DESCRIPTION	DRFT	DATE
01		修改零件材料	姜民浩	2023.11.09

Transfer or duplication of this document as well as the utilization or reproduction of its contents without the written consent of Degson Technology Co., Ltd. is strictly prohibited. All rights reserved for patent.