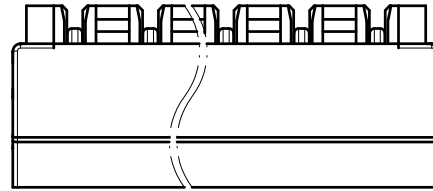
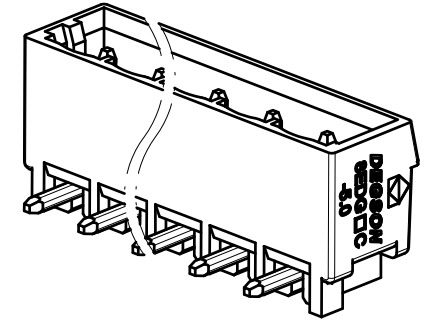


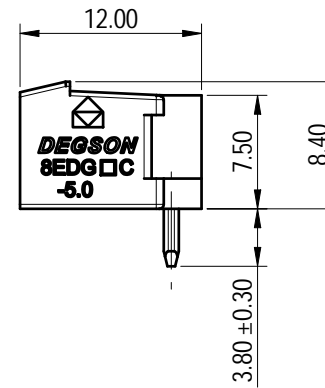
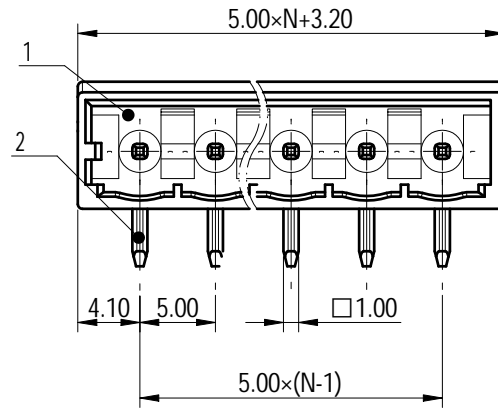
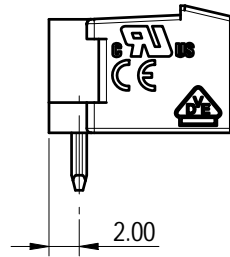
02P



未注公差/General tolerances (mm)												0.1/10	
0	>3	>6	>10	>18	>30	>50	>80	>120	>180	>250	>315		>400
~3	~6	~10	~18	~30	~50	~80	~120	~180	~250	~315	~400	~500	>500
±0.12	±0.18	±0.22	±0.26	±0.31	±0.37	±0.57	±0.80	±0.93	±1.05	±1.15	±1.60	±2.20	±2.50



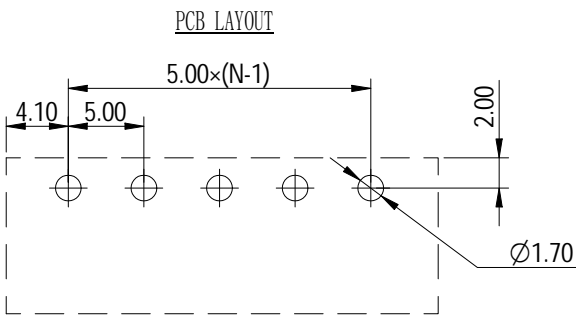
please refer to the 3D model, for those unmarked dimensions.



Note: The A&Z(H) in the name means:A(H)and Z(H).

ITEM	NAME OF PART	MATERIAL	NOTES
2	Pin header	Copper	Sn Plated
1	Housing	PA66	UL94V-0

UL 标准/UL Standard:	B	C	D
额定电压/电流/Rated Voltage(V)/Current(A)	300/15	/	300/10
IEC 标准/IEC Standard:			
过压类别/Overvoltage Category/污染等级/Pollution Degree	III/3		
额定电压/电流/Rated Voltage(V)/Current(A)	320/20		
额定脉冲电压(KV)/Rate Impulse Voltage(KV)	4		
间距/Pitch(mm)/线数范围/Poles	5.00/N=02~24P		
使用温度范围/Operating temperature(°C)	-40~+105		
符合 RoHS 环保要求/Conform to RoHS	Yes		



DEGSON

APPD: 蓝贵凡 2022.11.11
 CHKD: 曹利彬 2022.11.11
 DRFT: 姜民洁 2022.11.11

MATERIAL:	SURFACE/COLOR: PANTONE 428C		
MAT NO./REV:	-	/00	MAT STATUS: 批量
NAME			
8EDGRC-5.0-XXP-11-01A&Z(H)			
DRAWING NO.	TYPE	DRAWING STATUS	SCALE
200119676	CUSTOMER DRAWING	已发布	2:1
SHEET		1/1	

REV	ECN	DESCRIPTION	DRFT	DATE
00			姜民洁	2022.11.11

Transfer or duplication of this document as well as the utilization or communication of its content are prohibited unless authorized in writing by DEGSON. All rights reserved for patent. 未经授权复制或传播本文件以及利用其内容进行任何形式的使用、复制或传播等行为均属于侵权行为。本公司保留对本文件的所有权利。