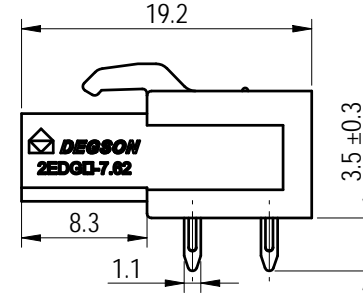
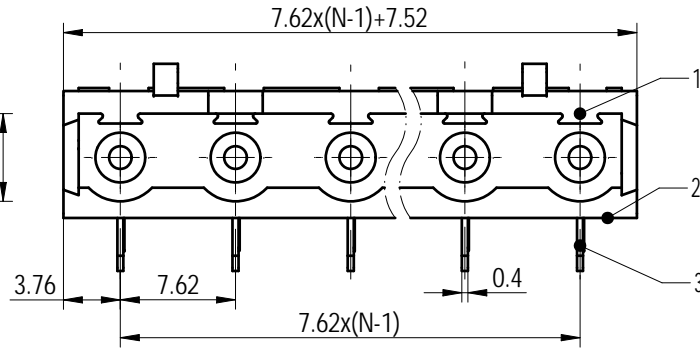
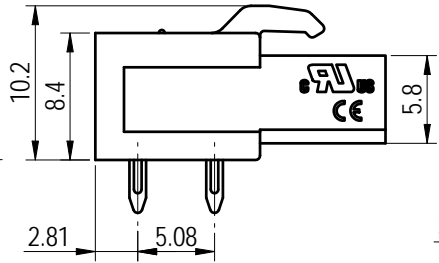
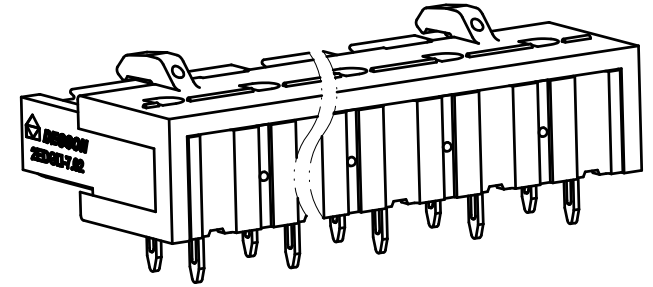
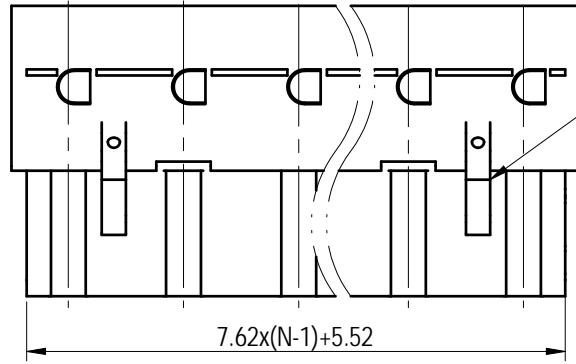


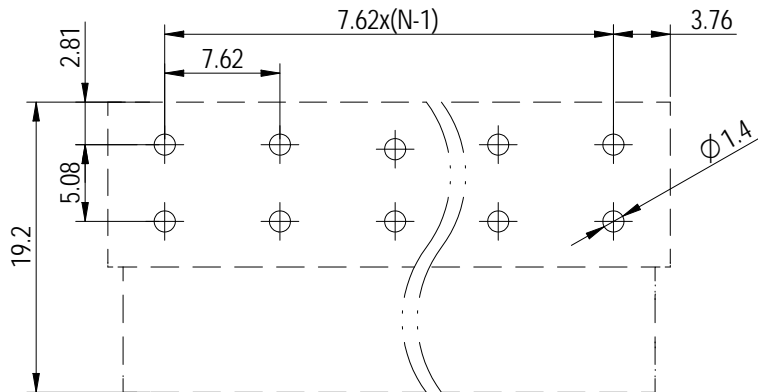
未注公差/General tolerances (mm)													0.1/10
0	>3	>6	>10	>18	>30	>50	>80	>120	>180	>250	>315	>400	
~3	~6	~10	~18	~30	~50	~80	~120	~180	~250	~315	~400	~500	>500
±0.12	±0.18	±0.22	±0.26	±0.31	±0.37	±0.57	±0.80	±0.93	±1.05	±1.15	±1.60	±2.20	±2.50



Note:
The A&Z(H) in the name means: A(H) and Z(H).

ITEM	NAME OF PART	MATERIAL	NOTES
3	Clamp	Copper alloy	Sn Plated
2	Cover	PA66	UL94V-0
1	Housing	PA66	UL94V-0

PCB LAYOUT



UL 标准/UL Standard:	B	C	D
额定电压/电流/Rated Voltage(V)/Current(A)	300/15	/	300/10
IEC 标准/IEC Standard:			
过压类别/Overvoltage Category/污染等级/Pollution Degree	III/3	III/2	II/2
额定电压/电流/Rated Voltage(V)/Current(A)	500/20	630/20	1000/20
额定脉冲电压(kV)/Rate Impulse Voltage(kV)	6	6	6
间距/Pitch(mm)/线数范围/Poles	7.62/N=02~16P		
使用温度范围/Operating temperature(°C)	-40~+105		
符合RoHS环保要求/Conform to RoHS	Yes		
标准颜色编号/Standard color number: PANTONE / RAL	/		



MATERIAL:	SURFACE/COLOR:
MAT NO./REV: / 00	MAT STATUS: 批量

APPD: 兰春华	2022.11.07
CHKD: 龚耀志	2022.11.04
DRFT: 刘强	2022.11.03

NAME				
2EDGA-7.62-XXP-1Y-00A&Z(H)				

REV	ECN	DESCRIPTION	DRFT	DATE
00			刘强	2022.11.03

DRAWING NO.	TYPE	DRAWING STATUS	SCALE	SHEET
200030420	CUSTOMER DRAWING	已发布	2:1	1/1

Transfer or duplication of this document as well as the utilization or communication of its contents are prohibited without express authorization by DEGSON. All rights reserved for patent, utility model or design registrations. 除手册中明确标注外, 未经授权, 不得复制或传播, 否则, 公司将依法追究法律责任。 未经授权, 不得复制或传播, 否则, 公司将依法追究法律责任。