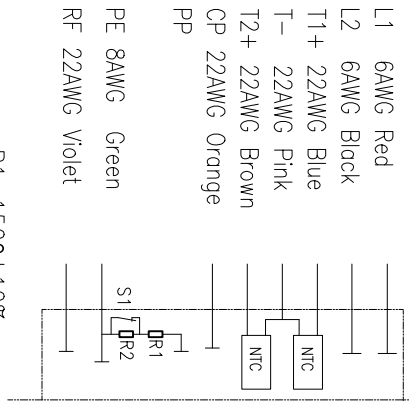
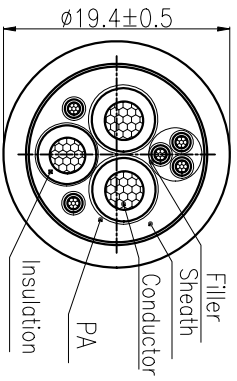


Wiring diagram

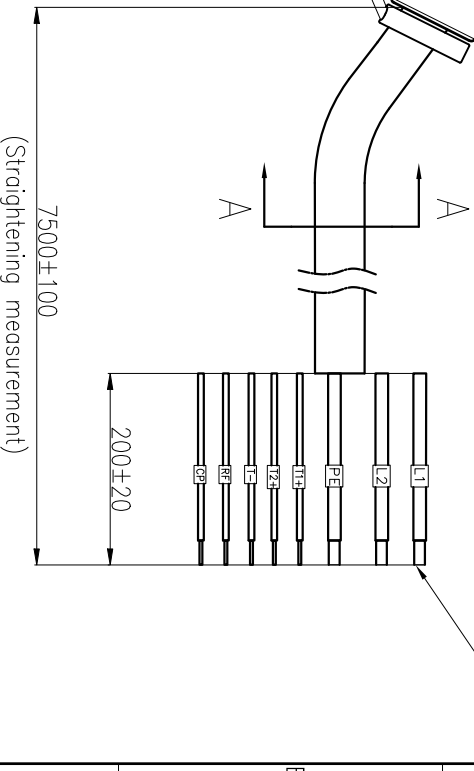
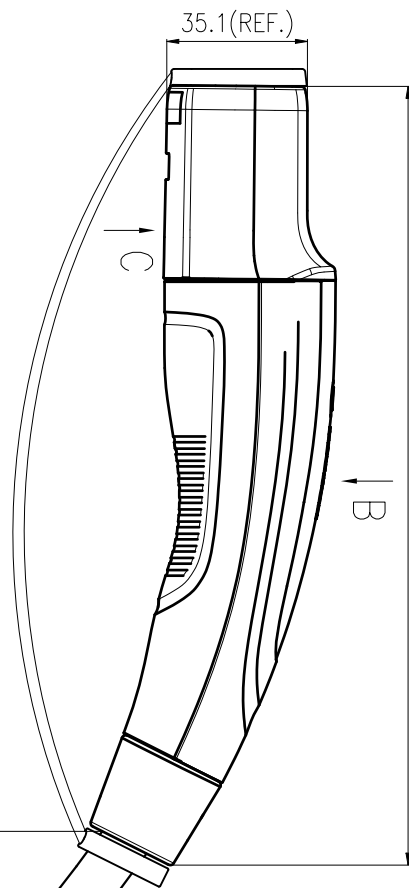


R1 = 150Ω ± 10%
R2 = 330Ω ± 10%



A-A

194.3(REF.)



L1/L2/PE Half-Stripping 10mm
CP/T1+/T2+/-/RF Half-Stripping 8mm



Laser Printing Note:
UL No.: E505319
MTAC-S-065A-V5-03-5.0M-10A(H)
65A 240V AC
TYPE 3R
OP-40+50°C
20xxxxx-xxxx
PAVUS

公差/General tolerances(mm)		公差/General tolerances(mm)
0	>3	>180
~	~	~
±0.12	±0.18	±2.20



APPD		NAME	MTAC-S-065A-V5-03-5.0M-10A(H)
CHKD		MATERIAL	SURFACE COLOR
DRAWING NO.	CUSTOMER DRAWING	DRAWING STATUS	

额定电压/Rated voltage	240V AC/65A
绝缘电阻/Insulation resistance	>100MΩ, 500V DC, 1min
耐压/Withstanding voltage	L1, L2 and PE .2500V AC 1min L1 and L2 .2500V AC 1min
防护等级/Ingress protection	TYPE 3R
插拔寿命/Insertion/Pullout times	10,000 Times
插拔力/Insertion/Pullout force	<90N
使用温度范围/Operating temperature(°C)	-40 ~ +50
线材规格/Cable specification	2*6AWG+1*8AWG+5*22AWG Black
标准/Reference standard	NAACS, UL2251
符合RoHS环保要求/Conform to RoHS	Yes

REV	ECN	DESCRIPTION	DRAFT	DATE