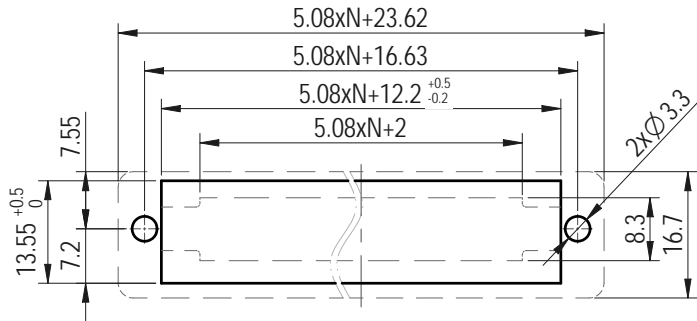
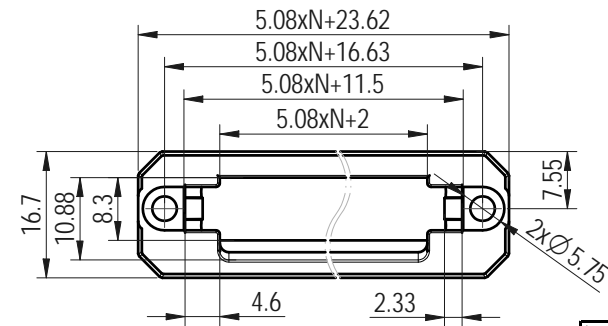
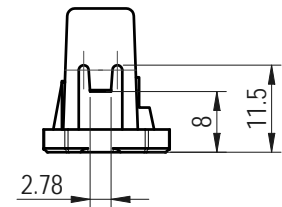
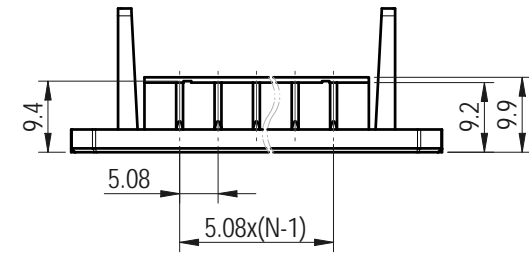
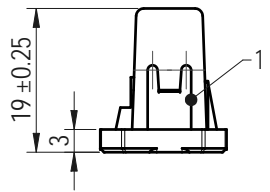
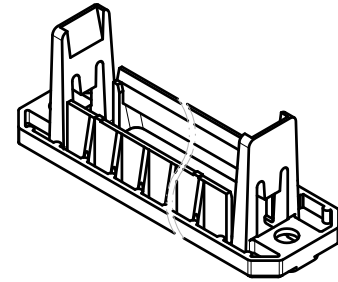
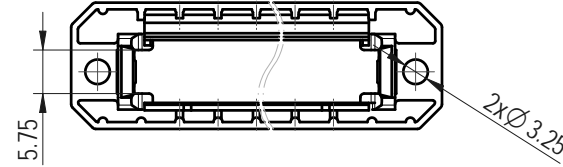


PCB LAYOUT



未注公差/General tolerances (mm)												
0	>3	>6	>10	>18	>30	>50	>80	>120	>180	>250	>315	>400
~3	~6	~10	~18	~30	~50	~80	~120	~180	~250	~315	~400	~500
±0.12	±0.18	±0.22	±0.26	±0.31	±0.37	±0.57	±0.80	±0.93	±1.05	±1.15	±1.60	±2.20
												±2.50



ITEM	NAME OF PART	MATERIAL	NOTES
1	Housing	PA66	UL94V-0

间距/Pitch(mm)/线数范围/Poles	5.08/N=02~22P
使用温度范围/Operating temperature(°C)	-40~+105
符合RoHS环保要求/Conform to RoHS	Yes

<b>DEGSON</b>		MATERIAL:	SURFACE/COLOR: PANTONE 556 C		
APPD:		MAT NO./REV:	/ 00	MAT STATUS: 批量	
CHKD:		NAME			
DRFT:		2CDG-5.08-XXP-1Y-100Z (H)			
DRAWING NO.		TYPE	DRAWING STATUS	SCALE	SHEET
200055023		CUSTOMER DRAWING		2:1	1/1

REV	ECN	DESCRIPTION	DRFT	DATE
00				

Transfer or duplication of this document as well as the utilization or communication of its contents are prohibited unless authorized in advance. Violations will be punished. We hereby reserve all rights reserved for patent, utility model or design registrations. 除专利权明确标注外, 复制、引用、分发本文件的程序, 未经事先获得许可, 均属禁止行为。 未经授权擅自复制或传播, 公司将保留对侵权行为的法律权利。