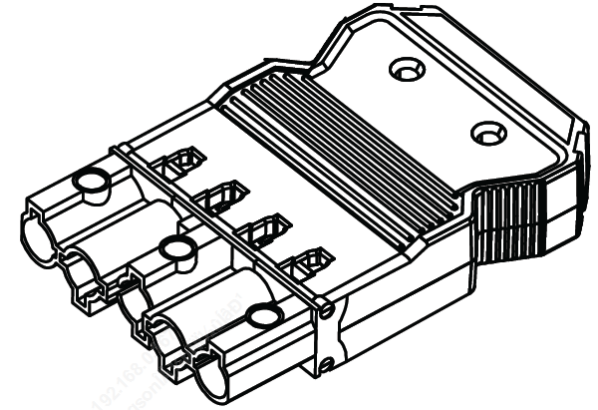
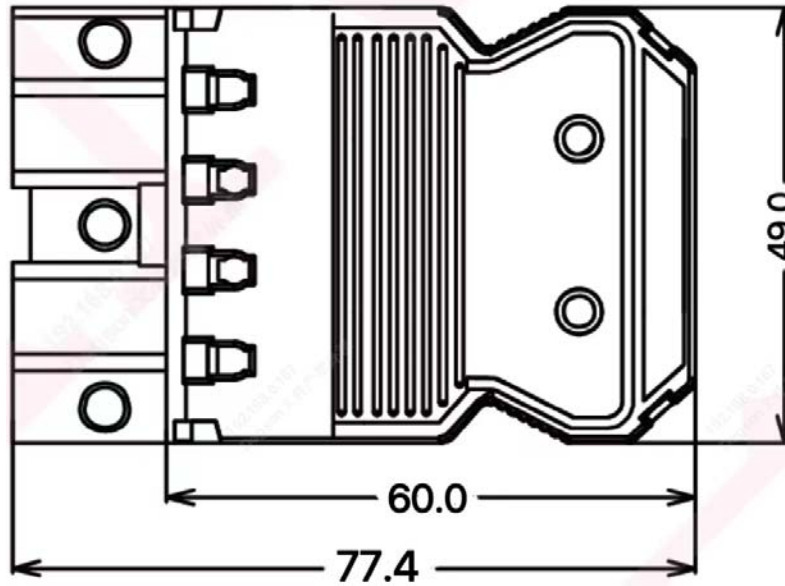
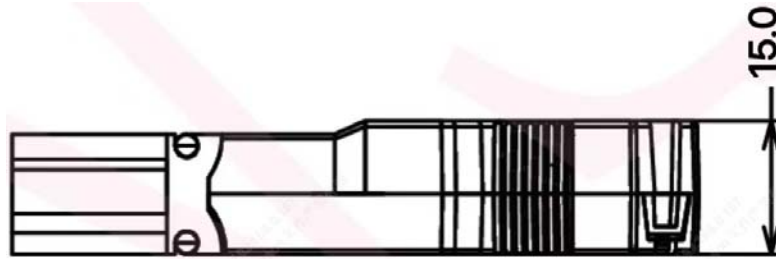


Transfer or duplication of this document as well as the utilization or communication of its contents are prohibited unless authorized in writing. All rights reserved for patent, utility model or design registrations. 除专利等权利明确标注外，其他内容均受法律保护。未经许可，不得复制或传播。 本公司保留对涉及发明、实用新型及外观设计的所有权利。

未注公差/General tolerances (mm)													0.1/10	
0	>3	>6	>10	>18	>30	>50	>80	>120	>180	>250	>315	>400		
~3	~6	~10	~18	~30	~50	~80	~120	~180	~250	~315	~400	~500	>500	
±0.12	±0.18	±0.22	±0.26	±0.31	±0.37	±0.57	±0.80	±0.93	±1.05	±1.15	±1.60	±2.20	±2.50	±2'



UL 标准/UL Standard:	B	C	D
额定电压/电流/Rated Voltage(V)/Current(A)	600/16	/	/
IEC 标准/IEC Standard:			
过压类别/Overvoltage Category/污染等级/Pollution Degree	III/3	III/2	II/2
额定电压/电流/Rated Voltage(V)/Current(A)	400/16	/	/
额定脉冲电压(KV)/Rate Impulse Voltage(KV)	4	/	/
线径范围(硬线和软线)/Wire Range(rigid and flexible)(AWG/mm ²)	18~14 / 0.75~2.5		
螺丝扭矩/Tightening torque(N·m/Lb.in)	M3: 0.5/4.43		
线数范围/Poles	05P		
剥线长度/Stripping length(mm)	7		
使用温度范围/Operating temperature(°C)	-40~+105		

		MATERIAL:	SURFACE/COLOR:			
		MAT NO./REV:	/	00	MAT STATUS: 批量	
APPD: 蓝贵凡	2024.05.20	NAME				
CHKD: 曹利彬	2024.05.20	DGBSC-PG01M 2.5-05P-13-00Z (H)				
DRFT: 孙科豪	2024.05.20	DRAWING NO.	TYPE	DRAWING STATUS	SCALE	SHEET
A4		200123516	CUSTOMER DRAWING	已发布	2:1	1/1

REV	ECN	DESCRIPTION	DRFT	DATE
00				