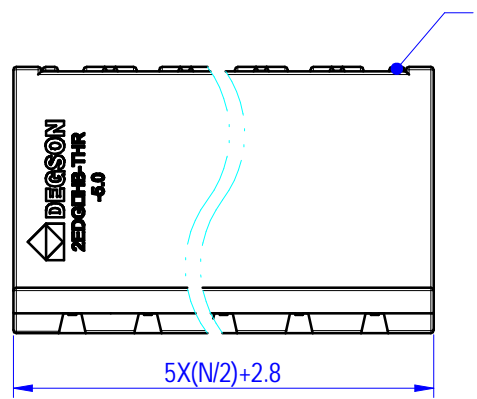
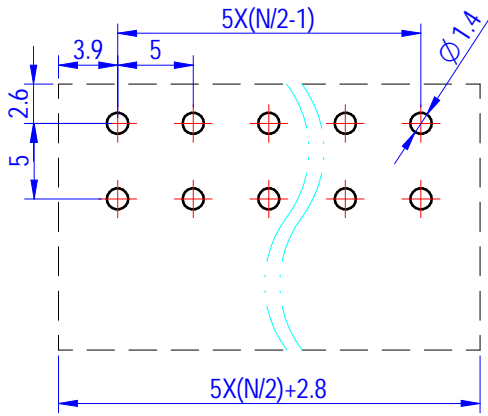
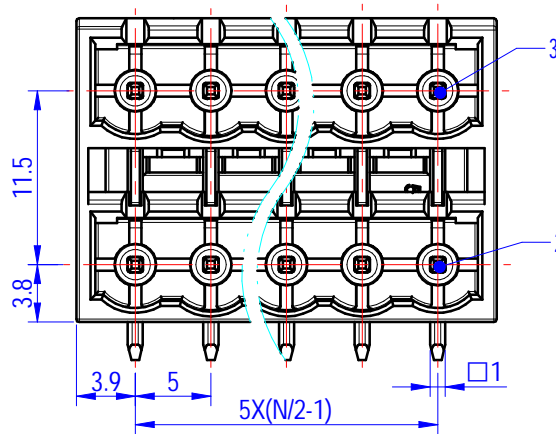
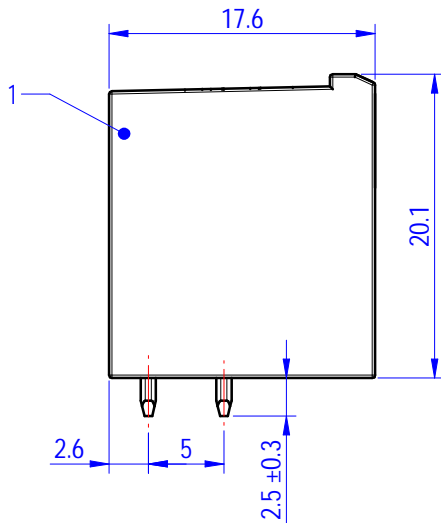
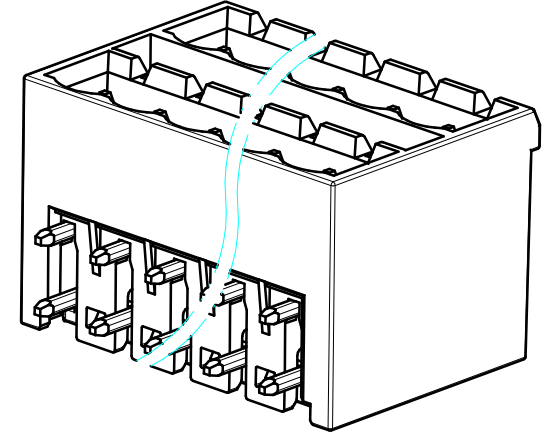


PCB LAYOUT



未注公差/General tolerances (mm)													0.1/10 ±2'
0	>3	>6	>10	>18	>30	>50	>80	>120	>180	>250	>315	>400	
~3	~6	~10	~18	~30	~50	~80	~120	~180	~250	~315	~400	~500	
±0.12	±0.18	±0.22	±0.26	±0.31	±0.37	±0.57	±0.80	±0.93	±1.05	±1.15	±1.60	±2.20	±2.50



ITEM	NAME OF PART	MATERIAL	NOTES
4	Cover	Thermoplastic	UL94V-0
3	Pin2	Copper	Sn Plated
2	Pin1	Copper	Sn Plated
1	Housing	Thermoplastic	UL94V-0

UL 标准/UL Standard:	B	C	D
额定电压/电流/Rated Voltage(V)/Current(A)	300/15	/	300/10
IEC 标准/IEC Standard:			
过压类别/Overtoltage Category/污染等级/Pollution Degree	III/3	III/2	II/2
额定电压/电流/Rated Voltage(V)/Current(A)	250/12	320/12	630/12
额定脉冲电压(kV)/Rate Impulse Voltage(KV)	4	4	4
间距/Pitch(mm)/线数范围/Poles	5.0/N=04~48P		
使用温度范围/Operating temperature(°C)	-40~+120		
符合RoHS环保要求/Conform to RoHS	Yes		

DEGSON		MATERIAL:	SURFACE/COLOR: PANTONE 419C		
APPD: 兰春华 2024.01.10		MAT NO./REV:	/ MAT STATUS: 批量		
CHKD: 龚耀志 2024.01.10		NAME			
DRFT: 方哲盛 2024.01.10		2EDGRHB-THR-5.0-XXP-1Y-00Z (H)			
00	REV	ECN	DESCRIPTION	方哲盛	2024.01.10
200019941				200019941	
DRAWING NO.		TYPE		DRAWING STATUS	
200019941		CUSTOMER DRAWING		已发布	
SCALE		SHEET			
2:1		1/1			

Transfer or duplication of this document as well as the utilization or communication of its contents are prohibited unless authorized in writing by Degson. All rights reserved for patent. 除专利注明情况外，否则禁止上述行为。 未经授权，禁止复制或传播本文件内容。 本公司保留对本文件的所有权利。