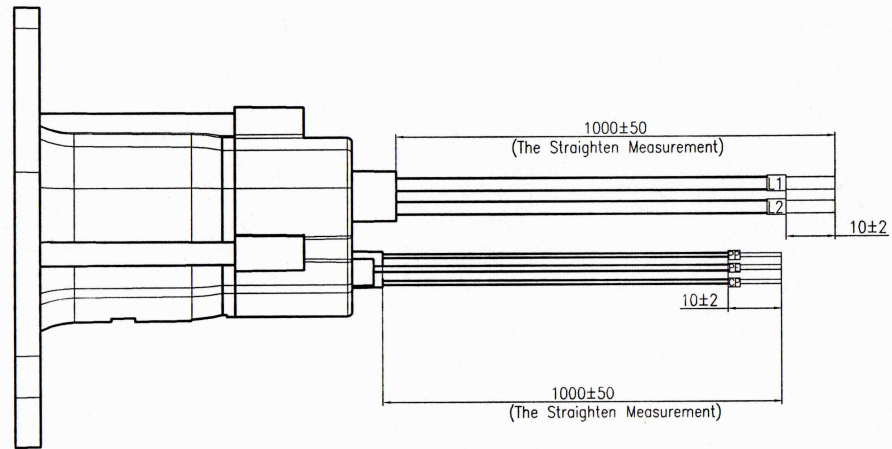
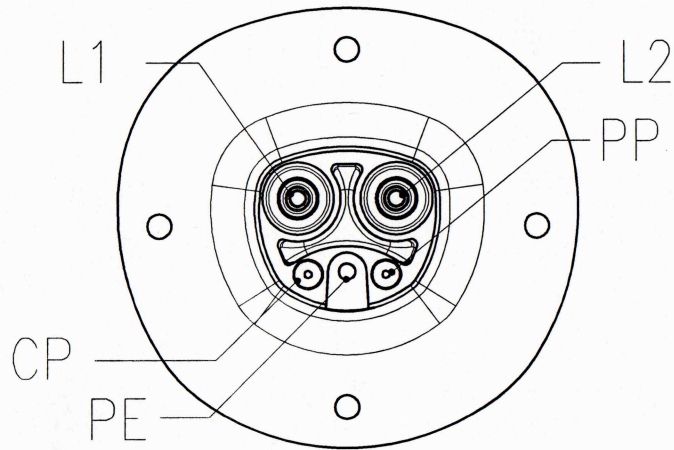


未注公差/General tolerances(mm)

0	>3	>6	>10	>18	>30	>50	>80	>120	>180	>250	>315	>400	>500	0.1/10 ±2'
~3	~6	~10	~18	~30	~50	~80	~120	~180	~250	~315	~400	~500		
±0.12	±0.18	±0.22	±0.26	±0.31	±0.37	±0.57	±0.80	±0.93	±1.05	±1.15	±1.60	±2.20	±2.50	



Connection Mode:

L1	Brown (8AWG)	L1
L2	Blue (8AWG)	L2
PE	Yellow/Green (10AWG)	PE
CP	Red (18AWG)	CP
PP	Black (18AWG)	PP

额定电压/Rated voltage/Current	240V AC/48A
绝缘电阻/Insulate resistance	>100MΩ, 500V DC 1min
耐压/Withstanding voltage	L1, L2 and PE, 2500V AC 1min L1 and L2, 2500V AC 1min
防护等级/Ingress protection	Type 3R
插拔寿命/Insertion/Pullout times	10,000 Times
插拔力/Insertion/Pullout force	<90N
使用温度范围/Operating temperature(°C)	-30~+50
标准/Reference standard	NACS
符合RoHS环保要求/Conform to RoHS	Yes

<b>DEGSON</b>		MATERIAL:	SURFACE/COLOR:		
MAT NO/REV: DO-1		MAT STATUS:			
APPD: <i>Dan R</i>	<i>2024.01.05</i>	NAME FTAC-S-048A-P-03-1.0M-10A(H)			
CHKD: <i>Hu M</i>	<i>2024.1.5</i>				
DRFT: Zhang Q	2024.01.05	DRAWING NO.	TYPE	DRAWING STATUS	SCALE
A4		CUSTOMER DRAWING			1:3
				SHEET	1/1

REV	ECN	DESCRIPTION	DRFT	DATE

Transfer or duplication of this document as well as the utilization or communication of its contents are prohibited unless explicit authorization is granted. Violations will be liable for compensation. All rights reserved for patent utility model or designs registrations. 未经许可，不得复制或传播本文件内容，否则将承担法律责任。本公司保留对涉及发明、实用新型和外专利的所有权利。