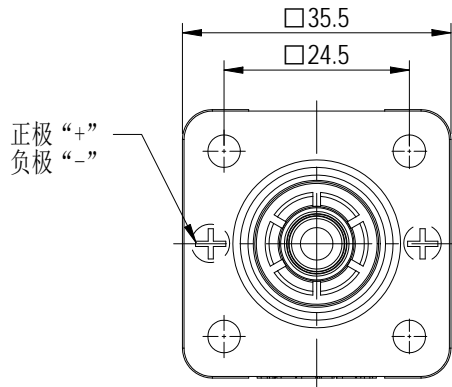
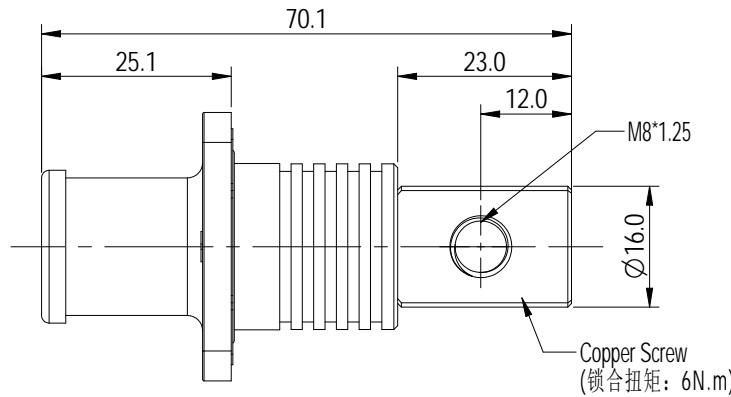
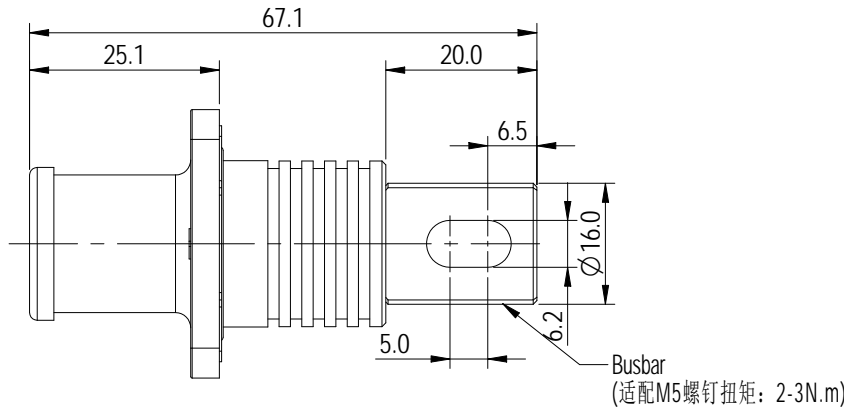


尺寸公差(mm)					0.05/10 ±1'
0	>30	>60	>100	>150	
~	~	~	~	~	
±0.20	±0.30	±0.50	±0.70	±1.00	

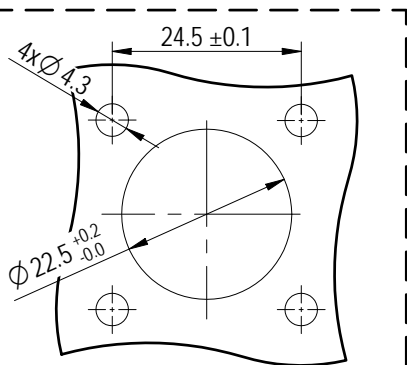
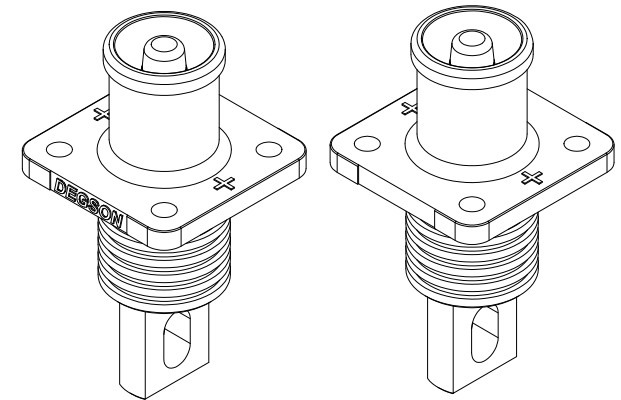
技术要求/Technical requirements:	
颜色/Color	Black, Orange, Red
锁紧方式/Locking method	卡扣(Buckle)
接线方式/Terminal	Busbar, Crimp, Copper Screw
外壳材料/Housing material	PA+GF
接触件材料/Connector material	铜合金(Copper alloy)
插入力/Insertion force	100N Max
拔出力/Withdrawal force	>10N
插拔次数/Mechanical working life(mating cycles)	100
安装螺母紧固扭矩/Screw torque	M4/0.4~0.7N.m
接线规格/Wiring specifications	2/0AWG or 70mm²
建议剥线长度/Suggested stripping length	19~21mm (Crimp type)
线径OD/Wire diameter	15.5~17mm(Crimp type)
额定电压/Rated voltage	1500V DC
额定电流/Rated current	250A
绝缘电阻/Insulate resistance	≥5000MΩ (drying)
耐电压/Withstanding voltage	6800V/min
接触电阻/Contact resistance	≤0.5mΩ
过电压等级/Overvoltage category	III
污染等级/Pollution degree	3
防护等级/Ingress protection	IP67 (Mated)
使用温度范围/Operating temperature(°C)	-40~+125(including temperature rise)
盐雾/Salt spray	48H
储存温度/Storage temperature(°C)	-40~+85
阻燃等级/Flame retardant ability	UL94-V0
符合RoHS环保要求/Conform to RoHS	Yes
满足户外使用/Satisfy outdoor use	Yes



其他接线方式：形式一：



仅Busbar的形式3D展示：



Recommended Panel Cut-Out

ESS-250A-70-X-XX-01

Color: BK : Black 负极
OR : Orange 正极
RD : Red 正极

Contact Termination: B : Busbar
B/S : Copper Screw

		MATERIAL:	SURFACE/COLOR:		
		MAT NO./REV:	MAT STATUS:		
APPD: 刘剑	2024.01.24	NAME			
CHKD: 于进海	2024.01.21	ESS-250A-70-X-XX-01			
DRFT: 张晓瑶	2024.01.17	DRAWING NO.	TYPE	DRAWING STATUS	SCALE
		200272275	CUSTOMER DRAWING		1:1
				SHEET	1/1

REV	ECN	DESCRIPTION	DRFT	DATE
01				

Transfer or duplication of this document as well as the utilization or communication of its contents are prohibited unless expressly authorized in writing by the copyright holder. All rights reserved for patent. 未经授权，禁止复制或传播本文件内容。未经许可，不得复制或传播本文件内容。保留所有权利。侵权必究。