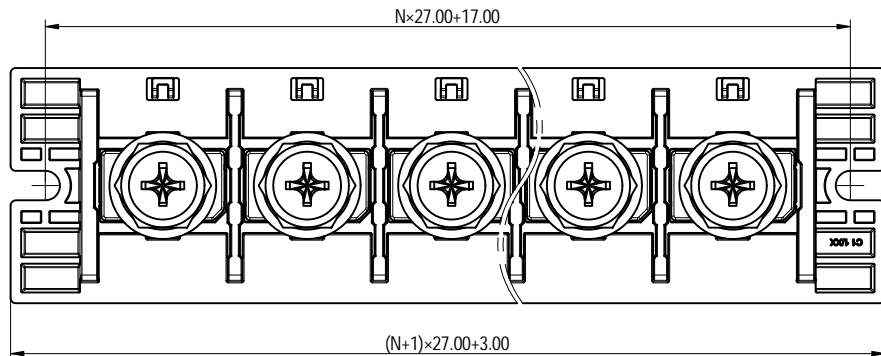
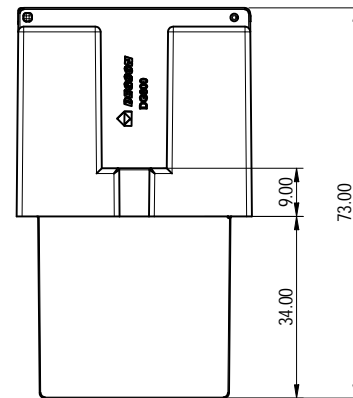
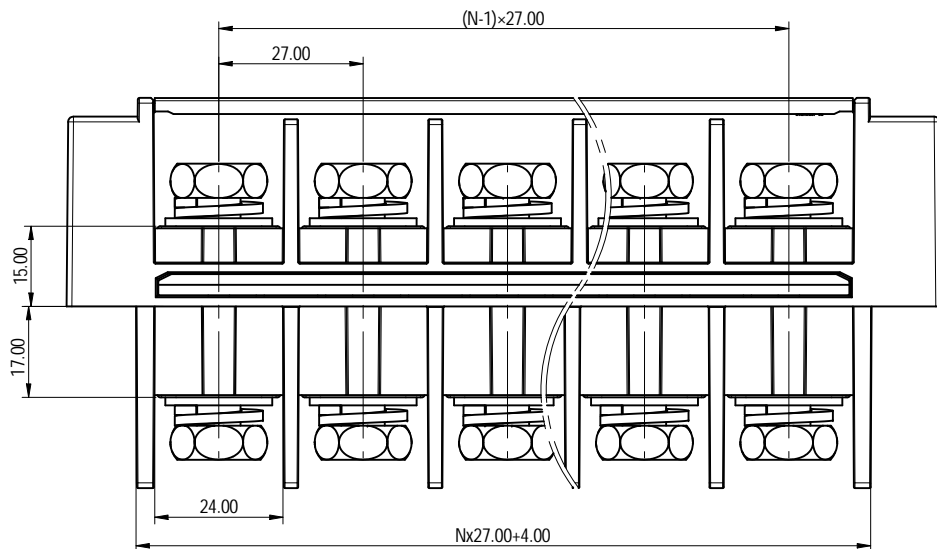
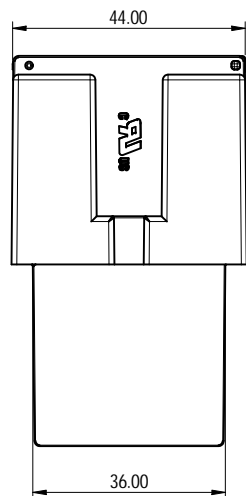
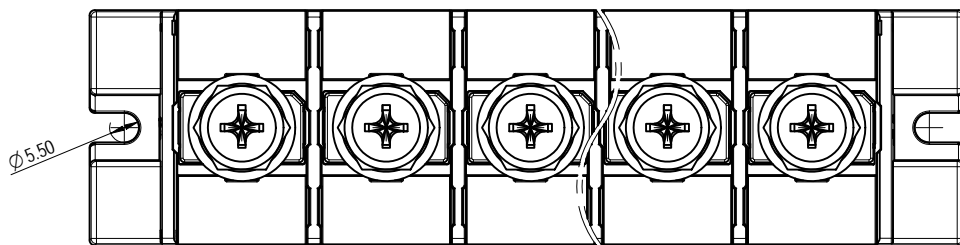


公差/General tolerances (mm)													D
0	>3	>6	>10	>18	>30	>50	>80	>120	>180	>250	>315	>400	0.1/10
~	3	6	10	18	30	50	80	120	180	250	315	400	~
±0.12	±0.18	±0.22	±0.26	±0.31	±0.37	±0.57	±0.80	±0.93	±1.05	±1.15	±1.60	±2.20	±2.50

(W/O COVER VIEW)



Notes: The A&Z (H) in the name means:A(H) and Z(H)

ITEM	NAME OF PART	MATERIAL	NOTES
4	Cover	PC	UL94V-2
3	Screw	Steel	Zn Plated
2	Cage	Copper	Ni Plated
1	Housing	PA66+GF	UL94V-0

UL 标准/UL Standard:	E
额定电压/电压/Bated Voltage(V/Current(A))	1000/300
螺丝扭矩/Torque Tightening(N·m/lb.in)	M10: 5.60/49.60
线径范围(硬线和软线)/Wire Range (ngjd and flexible)(AWG/mm ²)	6~300kcmil /10~150
间距/Pitch(mm)/线数范围/Poles	27.00/N=02~05P
使用温度范围/Operating temperature(°C)	-40~+120
符合RoHS环保要求/Conform to RoHS	Yes

	MATERIAL:	-	SURFACE/COLOR:	-
	MAT NO./REV:	- / 00	MAT STATUS:	小批量
APPD: 蓝美凡	2023.09.22	NAME:	DG300-A-XXP-1Y-00A&Z(H)	
CHKD: 曹利彬	2023.09.22	DRAWING NO.:	200207428	TYPE: CUSTOMER DRAWING
DRFT: 曹利彬	2023.09.22	DRAWING STATUS:	已发布	SCALE: 1:1
REV	ECN	DESCRIPTION	DRFT	DATE
00	/	/	曹利彬	2023.10.25
④	A3	1/100 (inch)		

00	/	/	曹利彬	2023.10.25
REV	ECN	DESCRIPTION	DRFT	DATE

Transfer or duplication of this document as well as the utilization of its contents in any form without the written permission of DEGSON is prohibited. All rights reserved for patent.