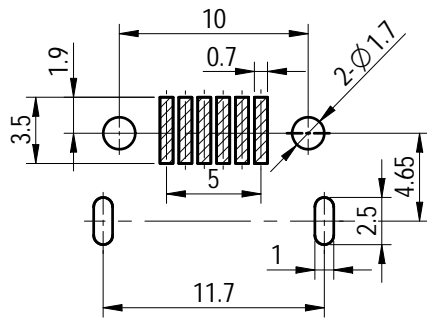
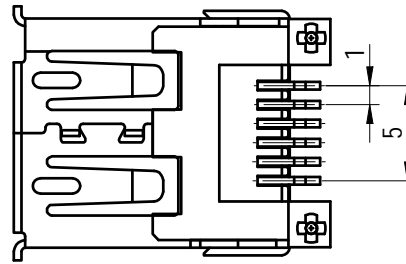
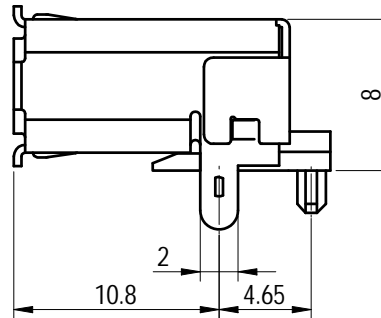
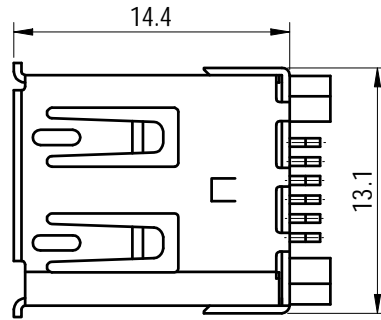
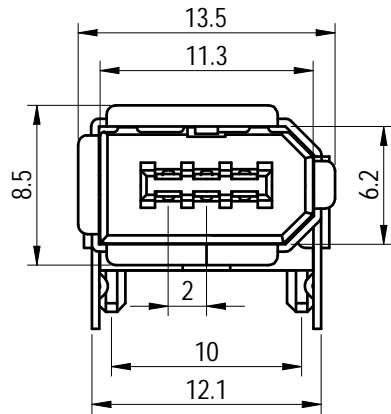


Transfer or duplication of this document as well as the utilization or communication of its contents are prohibited without the prior written consent of DEGSON. All rights reserved for patent, utility model or design registrations. 除专利等明确标注外，其他内容均受法律保护。未经授权，不得复制或传播。DEGSON 保留所有权利。



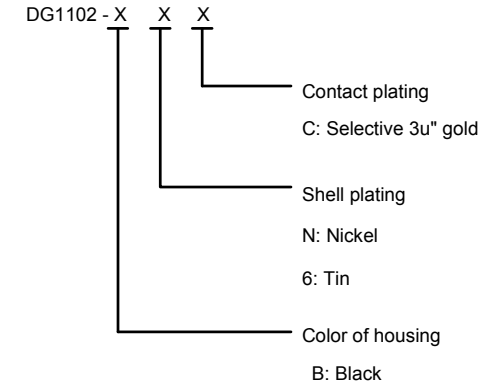
Recommend PCB layout
(Tolerance:±0.05)

NOTES:

1. Specifications

- . Contact Resistance: 50mΩ max
- . Insulator Resistance: 100MΩ min.
- . Current Rating: 1.5 A.
- . Rated Voltage: 30V DC
- . Dielectric withstanding voltage: AC 100V For 1 minute
- . Contact: Copper Alloy
- . Housing: Thermoplastic(UL 94V-0)

2. Product number code:



(Series Image-Reference Only)

GENERAL TOLERANCE			MATERIAL:	SURFACE/COLOR:			
X. ±0.60	X ±0.38		MAT NO./REV:	/ 00	MAT STATUS: 批量		
XX ±0.25		APPD: 兰春华 2023.08.01	NAME				
		CHKD: 陈招 2023.08.01	DG1102-XXX				
		DRFT: 唐本恒 2023.08.01	DRAWING NO.	TYPE	DRAWING STATUS	SCALE	SHEET
			200035059	CUSTOMER DRAWING	已发布	1:1	1/1

00			唐本恒	2023.08.01
REV	ECN	DESCRIPTION	DRFT	DATE

A
B
C
D