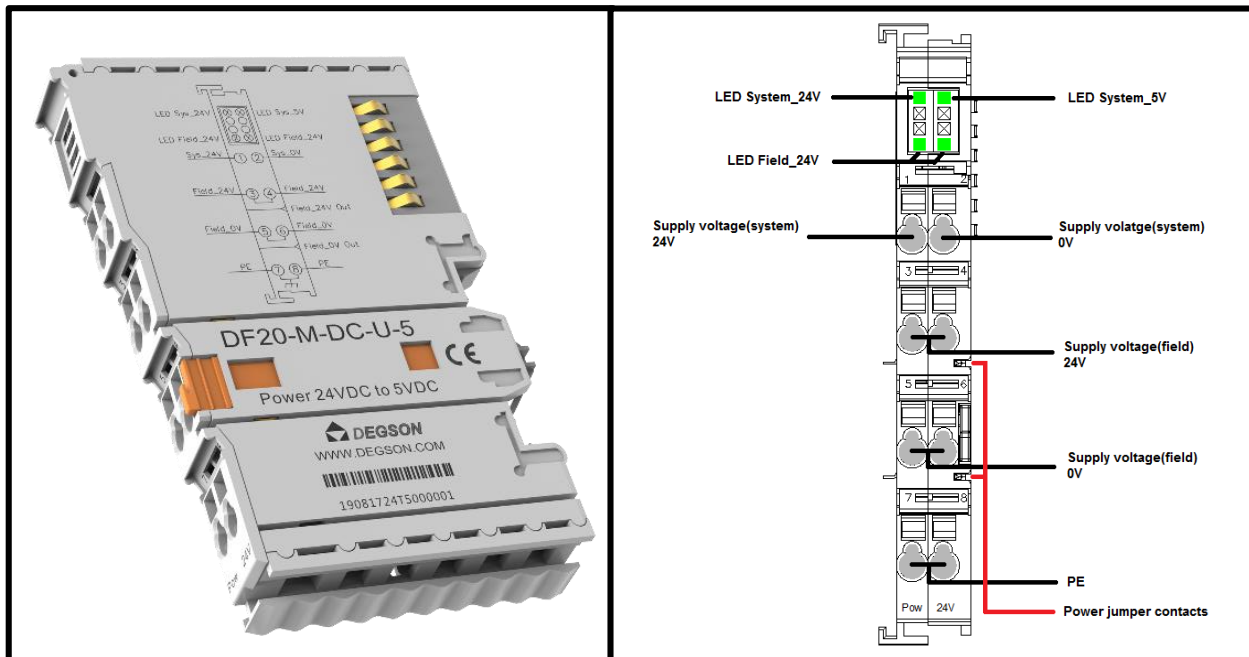


◆ 24VDC to 5VDC/0.75A Isolation (DF20-M-DC-U-5)

- The operating voltage of the I/O module is 5VDC through the internal bus of the module.
- Supply system current 0.75A.
- Provides 24VDC voltage rating for external field.
- The two LED indicators respectively indicate the normal operation and communication of the module.
- Field and system levels are Photoelectric isolated.
- Protection level IP20.

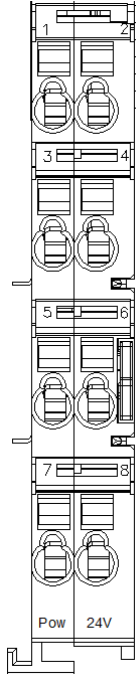


1. Specification

Technical data	
Number of channels	1
Working voltage	24VDC (-15%~+20%) via power jumper contacts
Supply system voltage	5VDC
Supply system current	Max. 0,75A
Supply field voltage	24VDC 20%/ -15%
Supply field current (MAX)	5A
Isolation	500Vsystem/field Electrical isolation
Reverse protection	Yes
Indicators	4 x LED Green
Number of incoming power jumper contacts	2
Number of outgoing power jumper contacts	2
Connection data	
Connection technology: inputs / outputs	8 xvia pluggable connector
Connection type 1	Inputs/Outputs
Area of wire	0.2~2.5mm ² /28~14AWG
Strip length	8~9mm/0.31~0.35inches
Mounting type	DIN-35 RAIL
Material Data	
Color	light gray
Housing material	Polycarbonate; polyamide 6.6
Conformity marking	CE
Environmental requirements	
Ambient temperature (operation)	-25~60°C
Surrounding air temperature (storage)	-40~85°C
Protection type	IP20
Pollution degree (5)	2, Per IEC 61131-2
Operating altitude	without temperature derating: 0~2000m
Mounting position	Any
Relative humidity (without condensation)	5~95%RH
Vibration resistance	4g, Per IEC 60068-2-6
Shock resistance	15g, Per IEC 60068-2-27
EMC immunity to interference	Per EN 61000-6-2
EMC emission of interference	Per EN 61000-6-3
Exposure to pollutants	Per IEC 60068-2-42 and IEC 60068-2-43
Permissible pollutant concentration H2S at a relative humidity < 75%	10ppm
Permissible pollutant concentration SO 2 at a relative humidity < 75%	25ppm

2. Hardware Interface

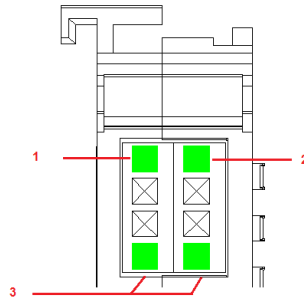
● Wiring Terminal



No.	Signal	Description
1	System power 24V	Power the module. Give Goldfinger 5V.
2	System power 0V	
3	Field power 24V	Power the load.
4		
5	Field power 0V	
6		
7	PE	Protect Earthing
8		

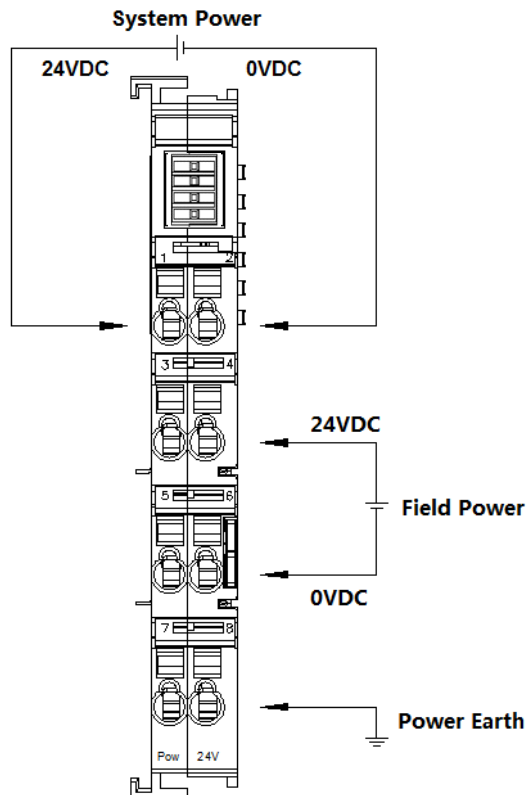
Notes: It is recommended to use two isolated 24V power supplies to provide two power supplies for the coupler respectively to achieve the best anti-interference performance.

● LED Indicator



LED Indicator	State	Definition
1	Green: ON	System Power Normal
	Green: OFF	System Power Failure
2	Green: ON	Goldfinger Power Normal
	Green: OFF	Goldfinger Power Failure
3	Green: ON	Field Power Normal
	Green: OFF	Field Power Failure

● Wiring



As shown in the picture:

3, 4 port internal short-circuit; 5, 6 port internal short-circuit; Internal short-circuit of ports 7 and 8.

Only three of these ports need to be connected.

● **Dimension drawing**

The installation size is shown in the following figure (unit: mm):

