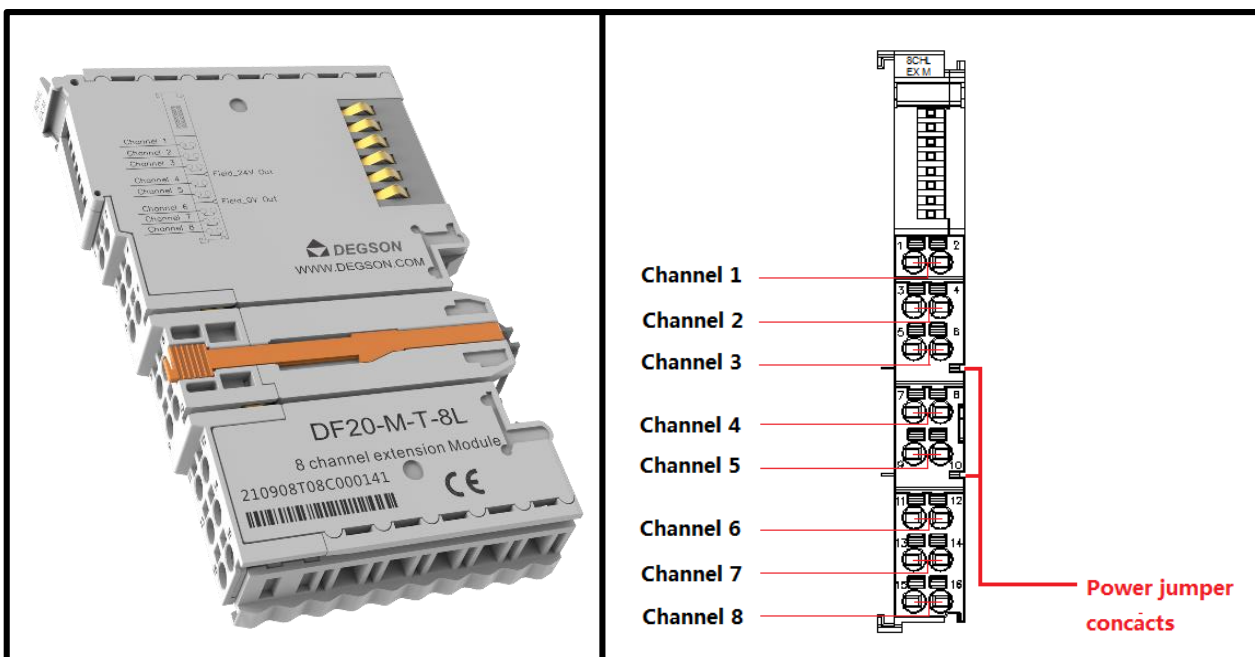


◆ 8 channel / 2 line extended (DF20-M-T-8L)

- Application and connection type independent of fieldbus.
- Provides 8-channel 2-wire extensions for external field.
- Protection level IP20.

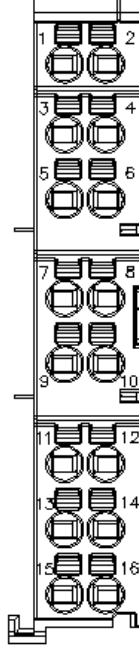


1. Specification

Technical data	
Number of channels	8
Working voltage	0V~36VDC
Supply field voltage	Voltage distribution
Supply field current (MAX)	5A
Number of incoming power jumper contacts	2
Number of outgoing power jumper contacts	2
Connection data	
Connection technology: inputs / outputs	16 xvia pluggable connector
Connection type 1	Inputs/Outputs
Area of wire	0.2~1.5mm ² /28~16AWG
Strip length	8~9mm/0.31~0.35inches
Mounting type	DIN-35 RAIL
Material Data	
Color	light gray
Housing material	Polycarbonate; polyamide 6.6
Conformity marking	CE
Environmental requirements	
Ambient temperature (operation)	-25~60°C
Surrounding air temperature (storage)	-40~85°C
Protection type	IP20
Pollution degree (5)	2, Per IEC 61131-2
Operating altitude	without temperature derating: 0~2000m
Mounting position	Any
Relative humidity (without condensation)	5~95%RH
Vibration resistance	4g, Per IEC 60068-2-6
Shock resistance	15g, Per IEC 60068-2-27
EMC immunity to interference	Per EN 61000-6-2
EMC emission of interference	Per EN 61000-6-3
Exposure to pollutants	Per IEC 60068-2-42 and IEC 60068-2-43
Permissible pollutant concentration H ₂ S at a relative humidity < 75%	10ppm
Permissible pollutant concentration SO ₂ at a relative humidity < 75%	25ppm

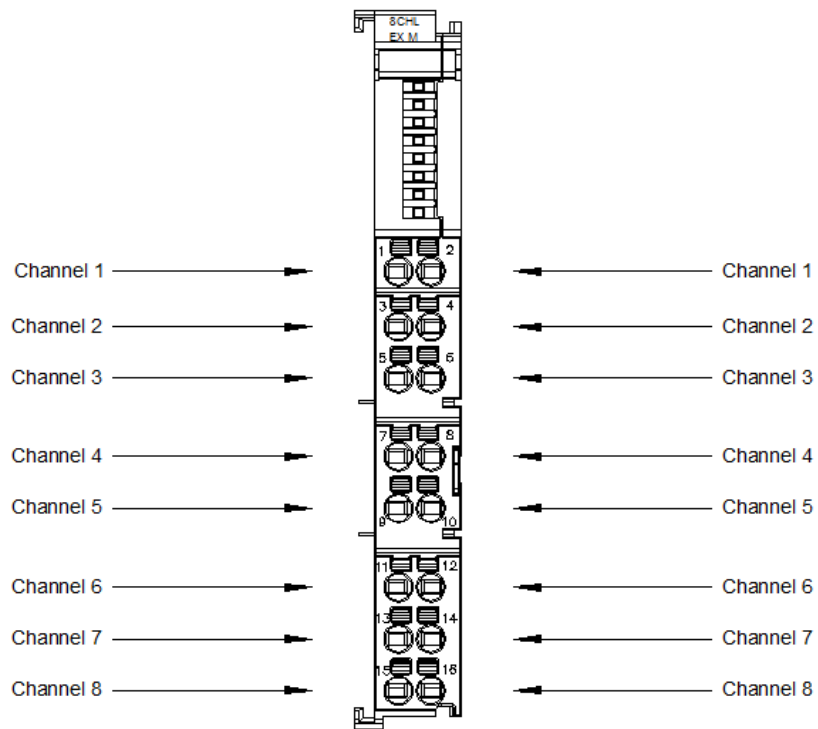
2. Hardware Interface

● Wiring Terminal



No.		信号	说明
1	2	Extended CH 1	Provides 8-channel 2-wire extensions for external field.
3	4	Extended CH 2	
5	6	Extended CH 3	
7	8	Extended CH 4	
9	10	Extended CH 5	
11	12	Extended CH 6	
13	14	Extended CH 7	
15	16	Extended CH 8	

● **Wiring**



As shown in the picture:

Provides 8-channel 2-wire extensions for external field, Convenient cable routing.

3.Machinery installation

● **Dimension drawing**

The installation size is shown in the following figure (unit: mm):

