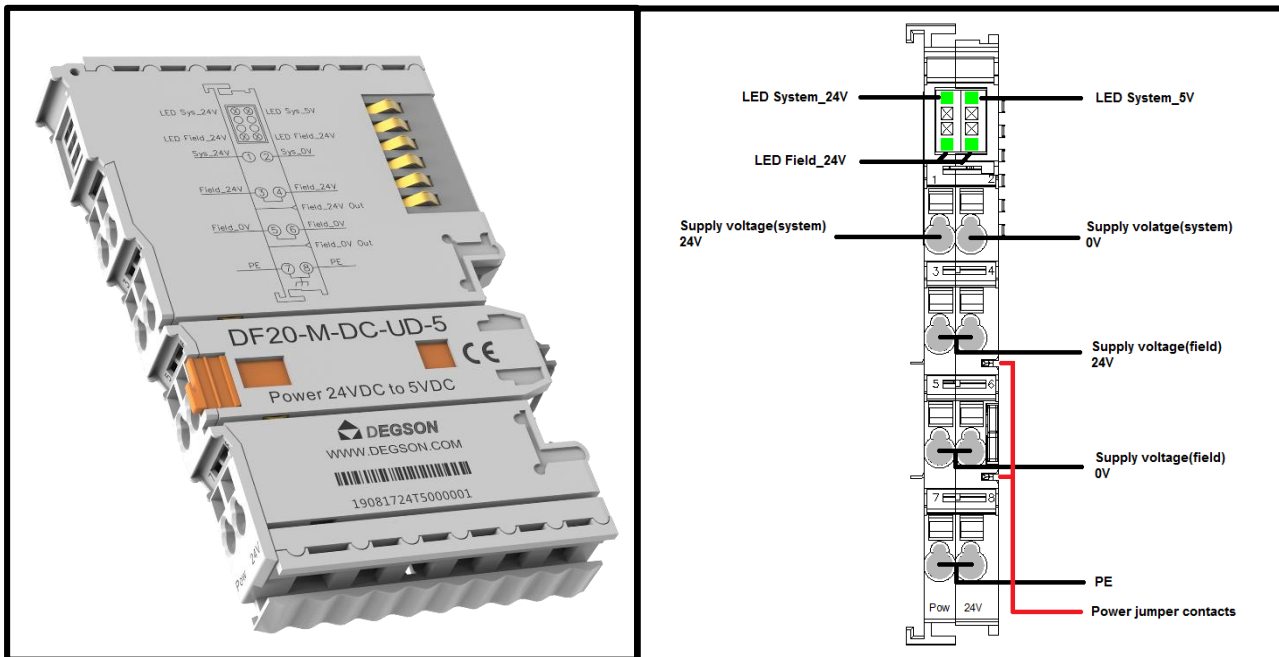


### ◆ 24VDC to 5VDC/2A No Isolation (DF20-M-DC-UD-5)

- The operating voltage of the I/O module is 5VDC through the internal bus of the module.
- Supply system current 2A.
- Provides 24VDC voltage rating for external field.
- The two LED indicators respectively indicate the normal operation and communication of the module.
- Field and system levels are Photoelectric No Isolation.
- Protection level IP20.

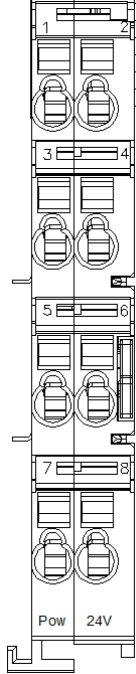


## 1. Specification

<b>Technical data</b>	
Number of channels	1
Working voltage	24VDC (-15%~+20%) via power jumper contacts
Supply system voltage	5VDC
Supply system current	Max. 2A
Supply field voltage	24VDC 20%/ -15%
Supply field current (MAX)	8A
Reverse protection	Yes
Indicators	4 x LED Green
Number of incoming power jumper contacts	2
Number of outgoing power jumper contacts	2
<b>Connection data</b>	
Connection technology: inputs / outputs	8 x via pluggable connector
Connection type 1	Inputs/Outputs
Area of wire	0.2~2.5mm <sup>2</sup> /28~14AWG
Strip length	8~9mm/0.31~0.35inches
Mounting type	DIN-35 RAIL
<b>Material Data</b>	
Color	light gray
Housing material	Polycarbonate; polyamide 6.6
Conformity marking	CE
<b>Environmental requirements</b>	
Ambient temperature (operation)	-25~60°C
Surrounding air temperature (storage)	-40~85°C
Protection type	IP20
Pollution degree (5)	2, Per IEC 61131-2
Operating altitude	without temperature derating: 0~2000m
Mounting position	Any
Relative humidity (without condensation)	5~95%RH
Vibration resistance	4g, Per IEC 60068-2-6
Shock resistance	15g, Per IEC 60068-2-27
EMC immunity to interference	Per EN 61000-6-2
EMC emission of interference	Per EN 61000-6-3
Exposure to pollutants	Per IEC 60068-2-42 and IEC 60068-2-43
Permissible pollutant concentration H <sub>2</sub> S at a relative humidity < 75%	10ppm
Permissible pollutant concentration SO <sub>2</sub> at a relative humidity < 75%	25ppm

## 2. Hardware Interface

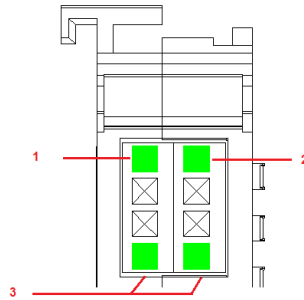
### ● Wiring Terminal



No.	Signal	Description
1	System power 24V	Power the module. Give Goldfinger 5V.
2	System power 0V	
3	Field power 24V	Power the load.
4		
5	Field power 0V	
6		
7	PE	Protect Earthing
8		

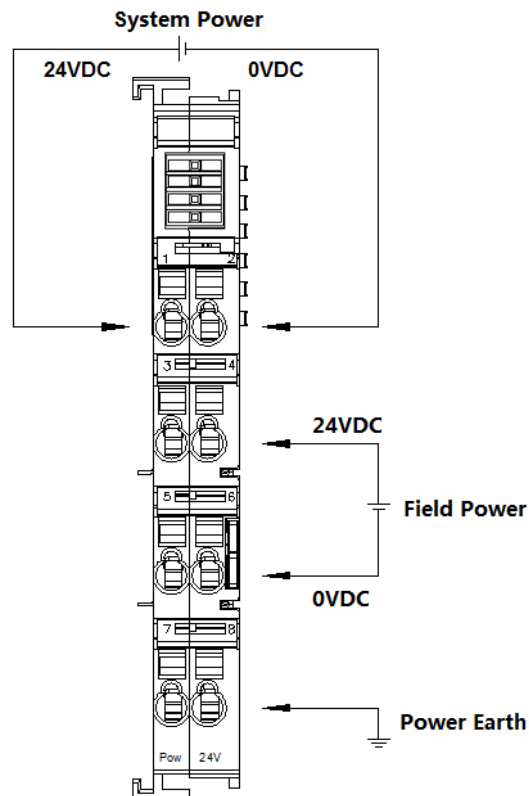
**Notes:** It is recommended to use two isolated 24V power supplies to provide two power supplies for the coupler respectively to achieve the best anti-interference performance.

## ● LED Indicator



LED Indicator	State	Definition
1	Green: ON	System Power Normal
	Green: OFF	System Power Failure
2	Green: ON	Goldfinger Power Normal
	Green: OFF	Goldfinger Power Failure
3	Green: ON	Field Power Normal
	Green: OFF	Field Power Failure

## ● Wiring



As shown in the picture:

3, 4 port internal short-circuit; 5, 6 port internal short-circuit; Internal short-circuit of ports 7 and 8.

Only three of these ports need to be connected.

### 3.Machinery installation

- Dimension drawing

The installation size is shown in the following figure (unit: mm):

