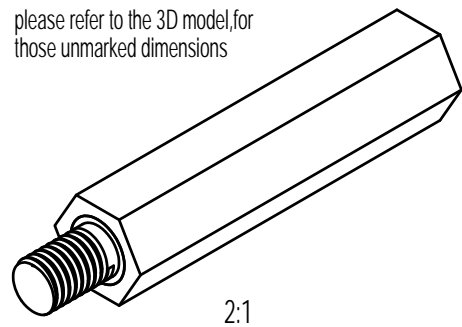
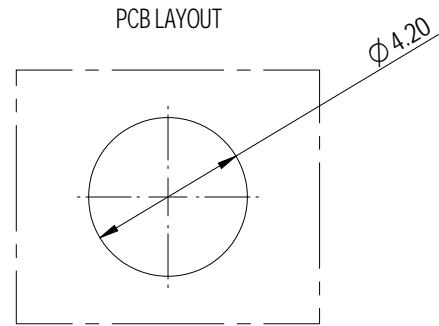
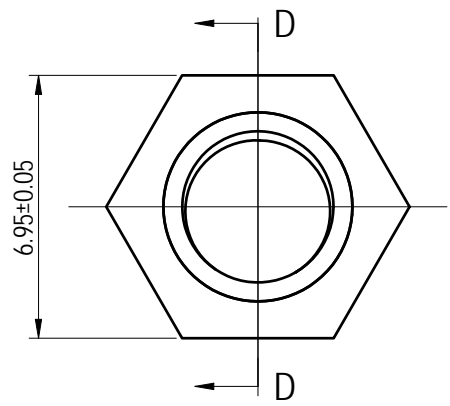
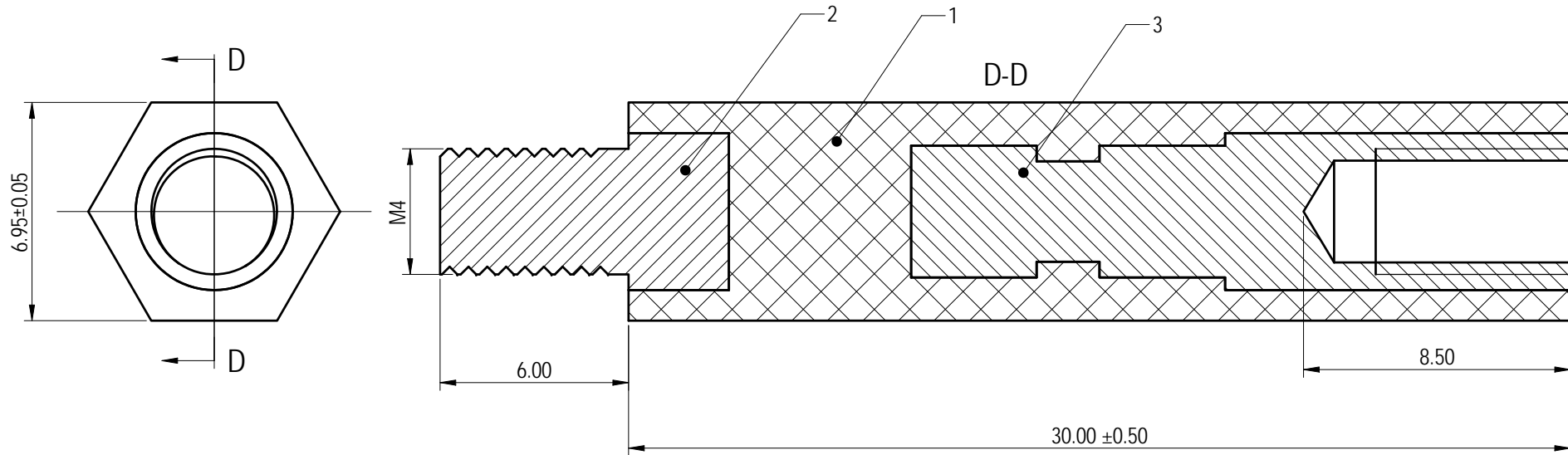


| 未注公差/General tolerances (mm) | | | | | | | | | | | | 0.1/10 | | |
|------------------------------|--------|---------|----------|----------|----------|----------|-----------|------------|------------|------------|------------|--------|------------|------|
| 0 ~ 3 | >3 ~ 6 | >6 ~ 10 | >10 ~ 18 | >18 ~ 30 | >30 ~ 50 | >50 ~ 80 | >80 ~ 120 | >120 ~ 180 | >180 ~ 250 | >250 ~ 315 | >315 ~ 400 | | >400 ~ 500 | >500 |
| ±0.12 | ±0.18 | ±0.22 | ±0.26 | ±0.31 | ±0.37 | ±0.57 | ±0.80 | ±0.93 | ±1.05 | ±1.15 | ±1.60 | ±2.20 | ±2.50 | ±2' |



please refer to the 3D model,for those unmarked dimensions

Note: The A&Z(H) in the name means: A(H) and Z(H).

| 3 | Nut | Steel | Ni Plated |
|------|--------------|----------|-----------|
| 2 | Screw | Steel | Ni Plated |
| 1 | Housing | PA66+GF | UL94V-0 |
| ITEM | NAME OF PART | MATERIAL | NOTES |

| | |
|-----------------------------------|--------------|
| 螺丝扭矩/Torque Tightening(N·m/Lb.in) | M4, 0.8/7.02 |
| 使用温度范围/Operating temperature(°C) | -40~+105 |
| 符合RoHS环保要求/Conform to RoHS | Yes |

| | | | | |
|-------------------|------------|-----------------------|------------------|----------------|
| DEGSON | | MATERIAL: | SURFACE/COLOR: | |
| MAT NO./REV: / 00 | | MAT STATUS: 批量 | | |
| APPD: 蓝贵凡 | 2023.01.12 | NAME | | |
| CHKD: 曹利彬 | 2023.01.12 | DG003-01P-1Y-00A&Z(H) | | |
| DRFT: 孙科豪 | 2023.01.12 | DRAWING NO. | TYPE | DRAWING STATUS |
| A4 | | 200126436 | CUSTOMER DRAWING | 已发布 |
| | | SCALE | SHEET | |
| | | 5:1 | 1/1 | |

| 00 | | | | | |
|-----|-----|-------------|------|------|--|
| REV | ECN | DESCRIPTION | DRFT | DATE | |

Transfer or duplication of this document as well as the utilization or communication of its content are prohibited unless authorized in writing by the copyright owner. All rights reserved for patent, utility model or design registrations. 除专利等明确标注外，本文件的所有权、复制、引用、分发等文件的所有权、复制、引用、分发等文件的所有权均保留。