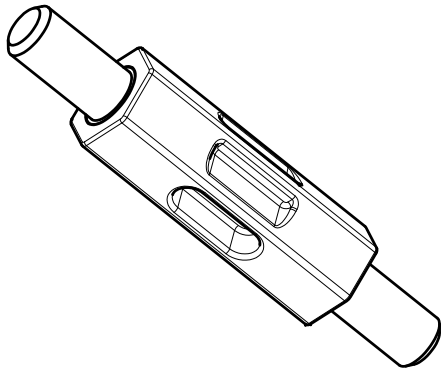
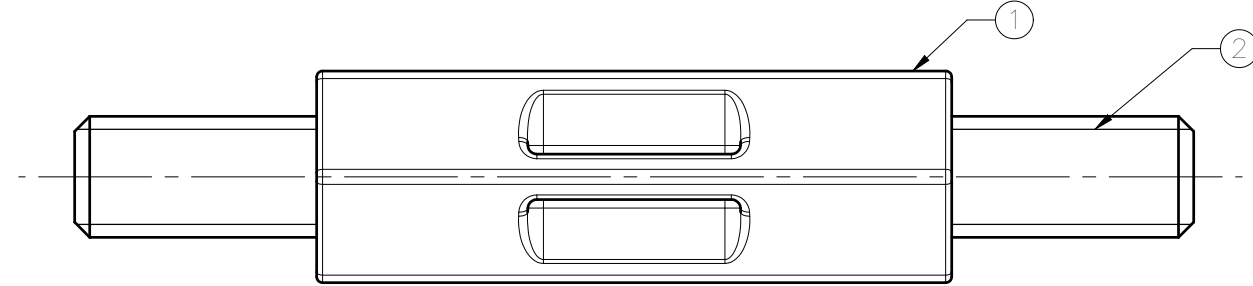
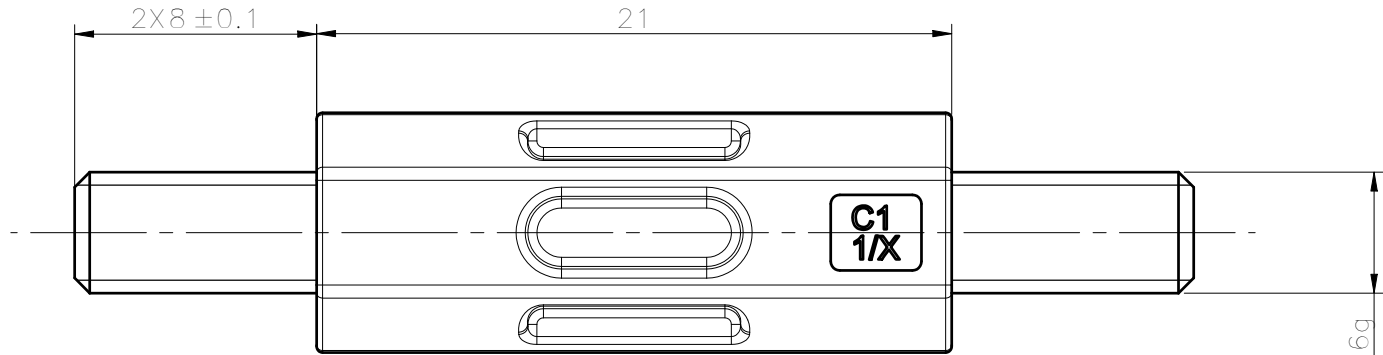
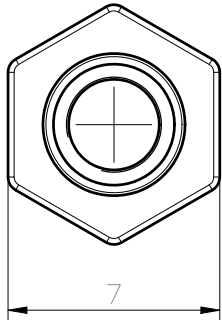


未注公差/General tolerances (mm)													0.1/10	
0 ~ 3	>3 ~ 6	>6 ~ 10	>10 ~ 18	>18 ~ 30	>30 ~ 50	>50 ~ 80	>80 ~ 120	>120 ~ 180	>180 ~ 250	>250 ~ 315	>315 ~ 400	>400 ~ 500		>500
±0.12	±0.18	±0.22	±0.26	±0.31	±0.37	±0.57	±0.80	±0.93	±1.05	±1.15	±1.60	±2.20	±2.50	±2'



ITEM	NAME OF PART	MATERIAL	NOTES
2	Screw	Steel	Ni Plated
1	Housing	PA66+10%GF	UL94 V-0

螺丝扭矩/Torque Tightening(N · m/Lb.in)	M4, 0.8/7.09
使用温度范围/Operating temperature (° C)	-40~+65
符合 RoHS 环保要求/Conform to RoHS	Yes

DEGSON		MATERIAL:	SURFACE/COLOR: 雾面Ra1.12/黑色		
APPD: 彭敏	2022.06.21	MAT NO./REV: - / 00	MAT STATUS: 批量		
CHKD: 高卫国	2022.06.21	NAME: DG008-01P-1Y-00A(H)			
DRFT: 刘玉	2022.06.21	DRAWING NO. 200059164	TYPE: CUSTOMER DRAWING	DRAWING STATUS: 已发布	SHEET 1/1

REV	ECN	DESCRIPTION	DRFT	DATE
00		2022-03-14 生成第一版图-00版	刘玉	2022.06.21

Transfer or duplication of this document as well as the utilization or communication of its content are prohibited unless authorized in writing by Degson. All rights reserved for patent, utility model or design registrations. 除专利、实用新型、外观设计、商标、著作权、专利权等文件外，其他文件均受法律保护。 未经授权，不得复制或传播。 所有权利保留。