

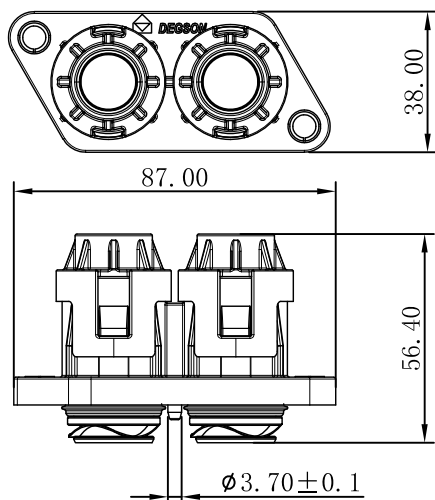
客户图

Drawings for customers

未注公差参照/General tolerances according to(mm): ISO2768-1 C

>0.5~3	>3~6	>6~30	>30~120	>120~400	>400~1000	>1000~2000	>2000~4000
±0.2	±0.3	±0.5	±0.8	±1.2	±2	±3	±4

DBYV-02AX7-C50 26010000002	50mm <sup>2</sup> Shielded connector	-	2	-	2	1	-	2	OD 16.5±0.3		
DBYV-02AX7-C35 26010000004	35mm <sup>2</sup> Shielded connector	2	-	2	-	1	2	-	OD 14.5±0.3		
型号/料号 Type /PN	物料描述 Product description	26010000021	26010000014	26010000022	26010000016	26010000013		26010000023	26010000017	适用线缆外径 Applicable cable diameter (mm)	备注 Note
		35sqmm	50sqmm	35sqmm	50sqmm	二芯过孔连接器壳体总成 2 PIN Via connector housing Assy		35sqmm	50sqmm		
子零件BOM Component BOM		尾盖 Cap		线缆密封圈 Cable Seal		屏蔽环总成 Ferrule Assy					
		No. 1		No. 2		No. 3		No. 4			



技术要求 Technical specification:

1、性能参数 Performance parameter:

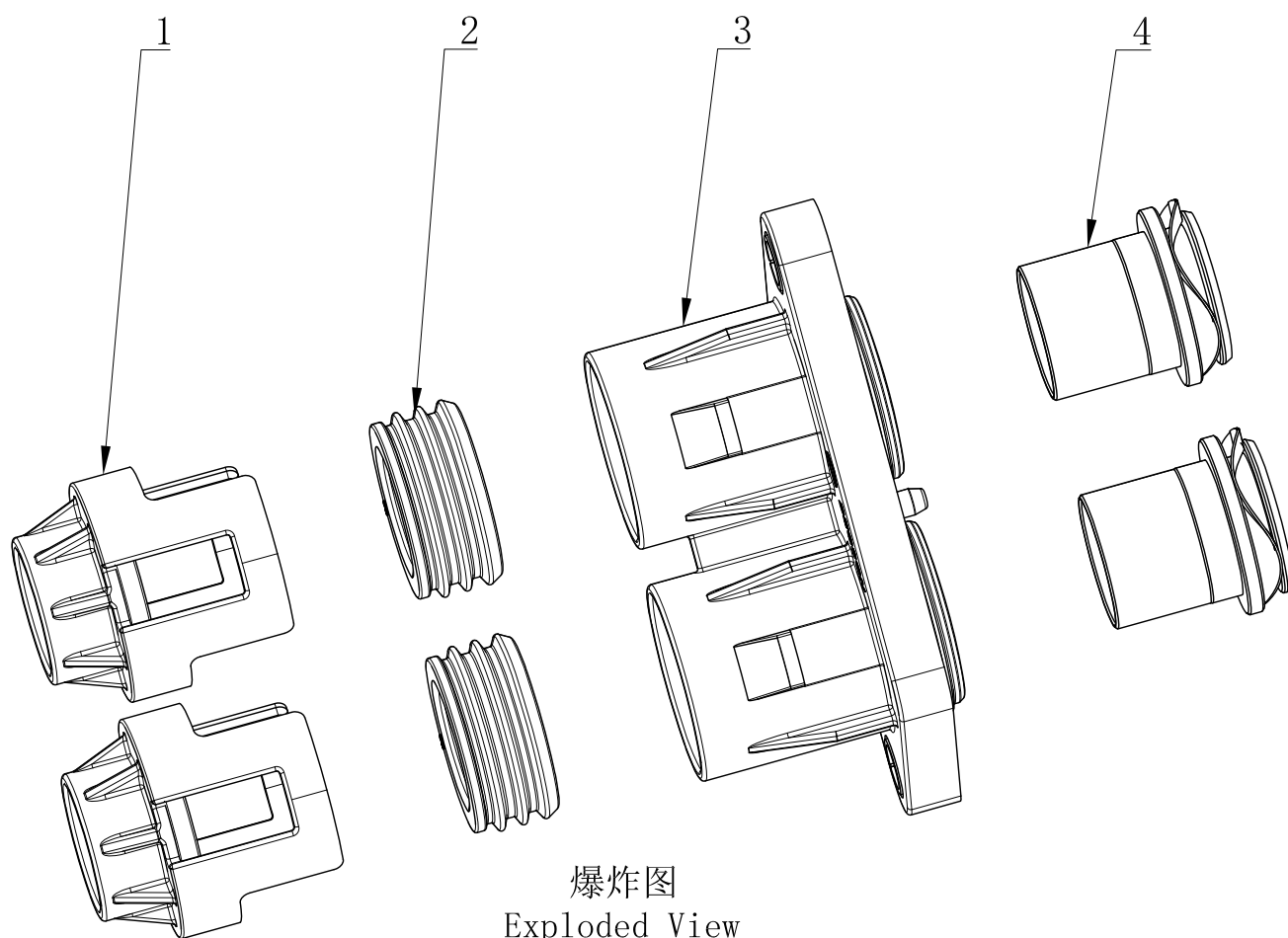
- a、工作温度 Temperature Range: -40℃~125℃
- b、额定工作电压 Working Voltage: 1000V DC
- c、额定工作电流 Current Capability:  
150A Max@35mm<sup>2</sup>    200A Max@50mm<sup>2</sup>
- d、工作海拔 Altitude: 5000M
- e、绝缘电阻 Insulation resistance: >200MΩ 1000V DC
- f、耐电压 Withstand voltage: <5mA 1min 3000V AC
- g、防护等级 Class of protection: IP67

2、法律法规 Laws and regulations

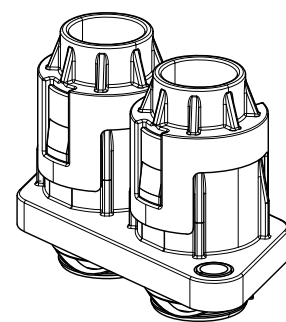
- ★a、产品符合阻燃要求;  
a、The product meets the flame retardant requirements
- ★b、环保要求 :RoHS 2.0  
b、Environmental protection requirement: RoHS 2.0

3、线缆尺寸标准来源于QC/T 1037-2016, 如线缆直径与于QC/T 1037-2016的不一致, 可能会引起装配困难或密封失效;

3、The cable dimensions are provided by the QC/T 1037-2016. If the cable diameter is different from the QC/T 1037-2016, assembly difficulties or seal failures may occur;



爆炸图  
Exploded View



产品图  
product view

			材料/MATERIAL: /	表面效果/SURFACE: /			
			料号/PN: 26010000002	样品状态/MAT STATUS: /			
批准/APPD 梁东 2024-06-15	审核/CHKD 李京乐 2024-06-15	制图/DRFT 陈自发 2024-06-15	名称/NAME: 二芯过孔连接器 2 PIN Via connector				
图纸版本 ECN /	变更描述	设计人 设计日期	版本/REV 00	类型/TYPE 客户图纸/Customer drawing	图纸状态/DRAWING STATUS /	比例/SCALE 1:2	页数/SHEET 1/1
REV	ECN	DESCRIPTION	DRFT	DATE			

Transfer or duplication of this document as well as the utilization or communication of its contents are prohibited unless explicit authorization is granted. Violations will be liable for compensation. All rights reserved for patent. 未经授权复制或传播本文件内容, 或在本文件内容基础上进行复制或传播, 均属于侵权行为, 本公司保留追究法律责任。 未经授权复制或传播本文件内容, 或在本文件内容基础上进行复制或传播, 均属于侵权行为, 本公司保留追究法律责任。