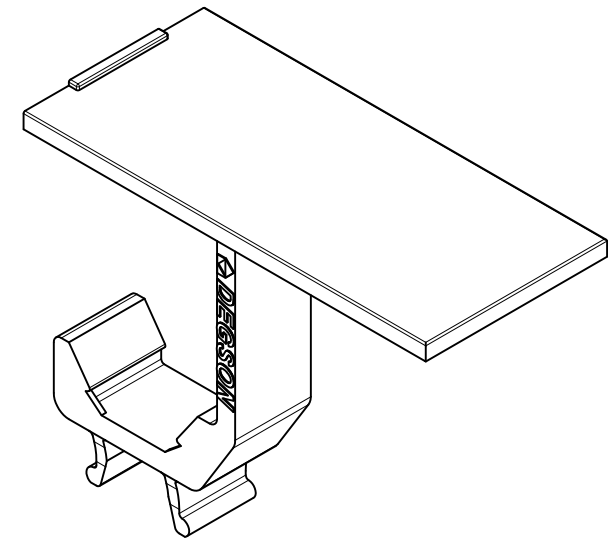


未注公差 (General Tolerances/mm)											N/D		
0	>3	>6	>10	>16	>30	>50	>80	>120	>180	>250		>315	>400
±0.12	±0.16	±0.22	±0.26	±0.31	±0.37	±0.57	±0.80	±0.93	±1.05	±1.15	±1.60	±2.20	±2.50



Transfer or duplication of this document as well as the utilization of its contents without the written consent of the copyright holder is prohibited. All rights reserved for patent, utility models or designs. Reproduction, distribution, modification, or any other use is strictly prohibited. For more information, please contact the copyright holder.

使用温度范围 (Operating temperature)(°C)	-40~+105
符合 RoHS 环保要求 / Conform to RoHS	Yes
阻燃等级 / Flame class	UL94-V0



MATERIAL: PA66	SURFACE/COLOR: /
MAT. NO./REV: / /	MAT. STATUS: /

REV	ECN	DESCRIPTION	DRFT	DATE
00	/	/	XieD	2022.06.13

APPD: PengM	2022.06.13	NAME	DTH5-25X12-1Y-00A(H)		
CHKD: GaoWG	2022.06.13	DRAWING NO.	TYPE	DRAWING STATUS	SHEET
DRFT: XieD	2022.06.13	/	CUSTOMER DRAWING	/	5:1 1/1