

未注公差/General tolerances(mm)

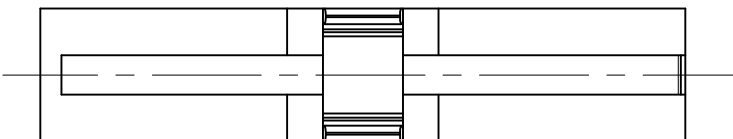
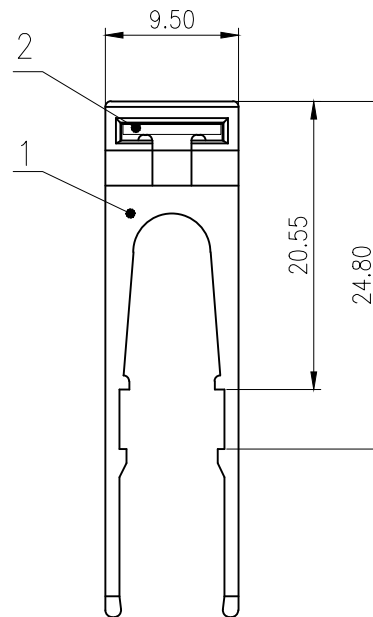
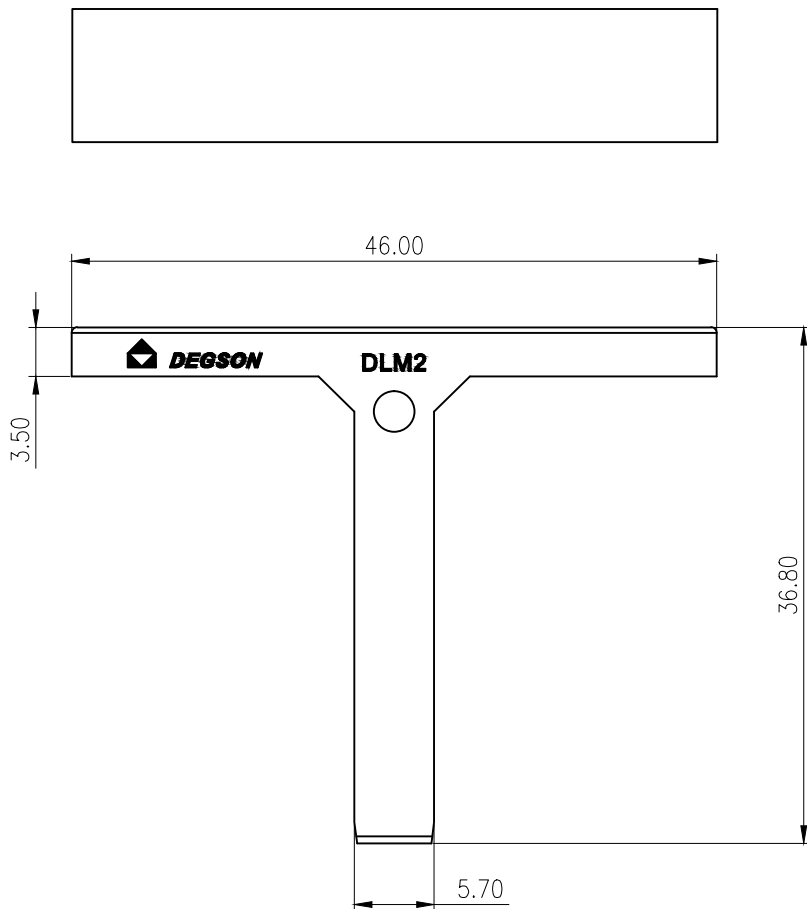
0 ~ 3	>3 ~ 6	>6 ~ 10	>10 ~ 18	>18 ~ 30	>30 ~ 50	>50 ~ 80	>80 ~ 120	>120 ~ 180	>180 ~ 250	>250 ~ 315	>315 ~ 400	>400 ~ 500	>500	0.1/10
													±2'	
±0.1 2	±0.1 8	±0.2 2	±0.2 6	±0.3 1	±0.3 7	±0.5 7	±0.8 0	±0.9 3	±1.0 5	±1.1 5	±1.6 0	±2.2 0	±2.5 0	

A

B

C

D



2	DLM2-Label		
1	DLM2-Housing	PC	UL94V-2
ITEM	NAME OF PART	MATERIAL	NOTES
使用温度范围/Operating temperature(°C)			-40~+110
符合RoHS环保要求/Conform to RoHS			Yes
标准颜色编号/Standard color number: PANTONE / RAL			/

MATERIAL: /	SURFACE: /		
MAT NO.: /	宁波高松电子有限公司 NINGBO DEGSON ELECTRICAL CO., LTD		
STATUS: /			
APPD: Li GL 2020.05.21	NAME: DLM2-01P-1Y-00A(H)		
CHKD: Mao J 2020.05.21	DRAWING NO.: DLM2-C01		
DRFT: Wang LX 2020.05.21	REV	TO	
⊕	SIZE: A4	TYPE: CUSTOMER DRAWING	SCALE: 2:1 SHEET 1/1

REV	ECN	DESCRIPTION	DRFT	DATE

1

2

3

4

5

6