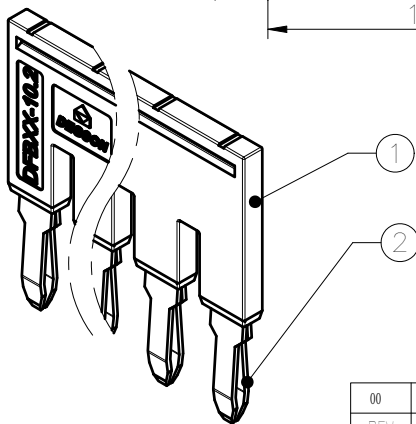
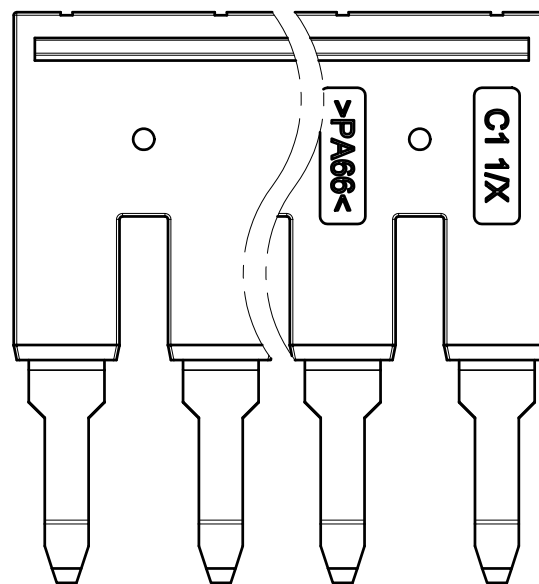
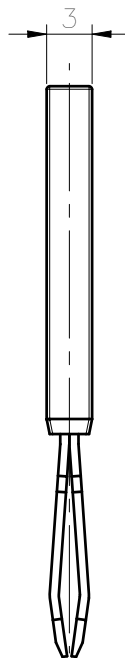
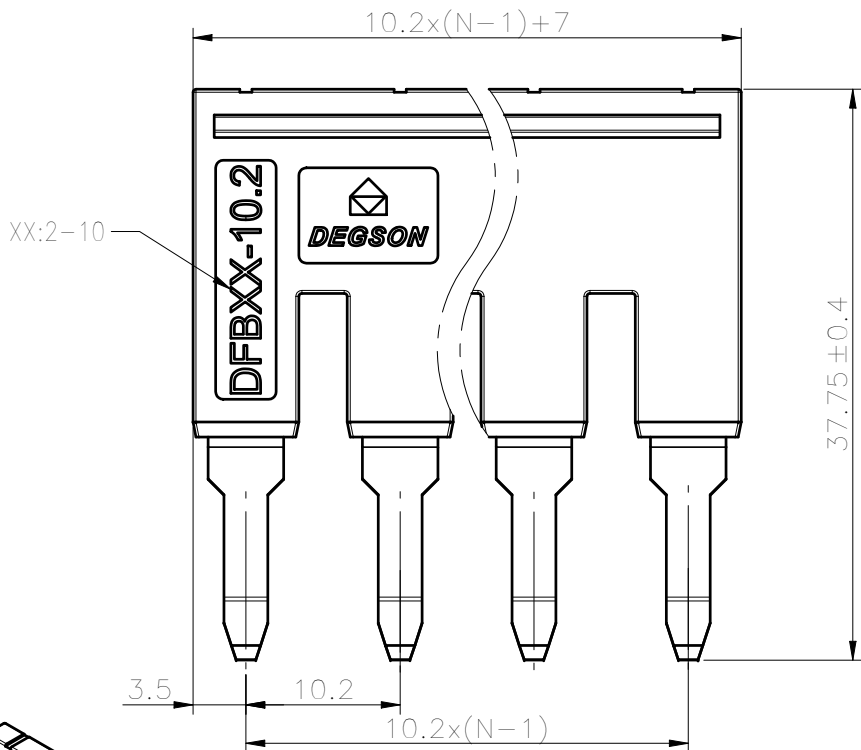
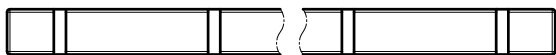


未注公差/General tolerances(mm)											0.1/10		
0	>3	>6	>10	>18	>30	>50	>80	>120	>180	>250		>315	>400
~3	~6	~10	~18	~30	~50	~80	~120	~180	~250	~315	~400	~500	>500
±0.12	±0.18	±0.22	±0.26	±0.31	±0.37	±0.57	±0.80	±0.93	±1.05	±1.15	±1.60	±2.20	±2.50
													±2'



2	Current_carrier	Copper	Sn_Plated
1	Housing	PA66	UL94V_0
ITEM	NAME OF PART	MATERIAL	NOTES

间距/Pitch(mm)/线数范围/Poles	10.2/N=2~10P
使用温度范围/Operating temperature(°C)	-40~+105
符合 RoHS 环保要求/Conform to RoHS	Yes

<b>DEGSON</b>		
APPD: Li GL	2022.02.25	NAME
CHKD: Ma EK	2022.02.25	
DRFT: Huo SR	2022.02.25	

MATERIAL: /	SURFACE: /
MAT NO./REV: /	MAT STATUS: /

DFBXX-10.2-1Y-00A(H)

00	/	/	Huo SR	2022.02.25	DRFT: Huo SR	2022.02.25	DRAWING NO.	TYPE	DRAWING STATUS	SCALE	SHEET
REV	ECN	DESCRIPTION	DRFT	DATE	A4		/	CUSTOMER DRAWING	/	2:1	1/1

Transfer or duplication of this document as well as the utilization or communication of its contents are prohibited unless authorized. All rights reserved for patent, utility model or designs registrations. 非经本厂明确授权, 否则禁止转让、复制、利用、交本厂以外的内容。侵犯者将负法律责任。本公司保留对涉及发明、实用新型和外观设计的所有权利。