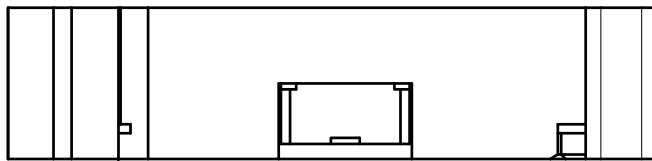
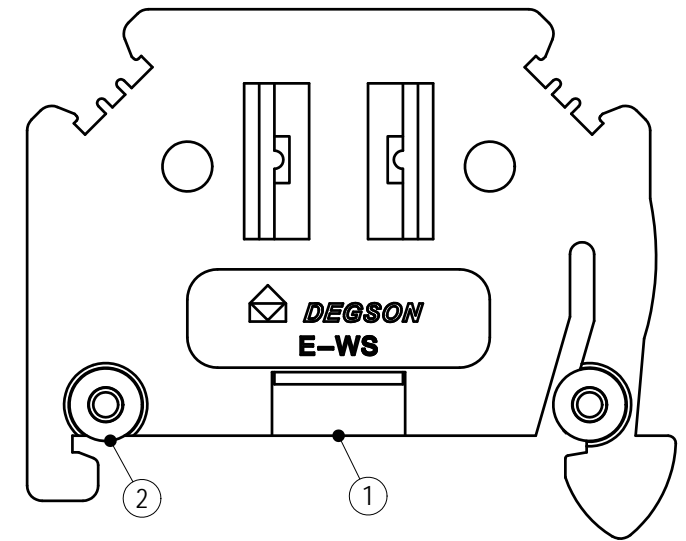
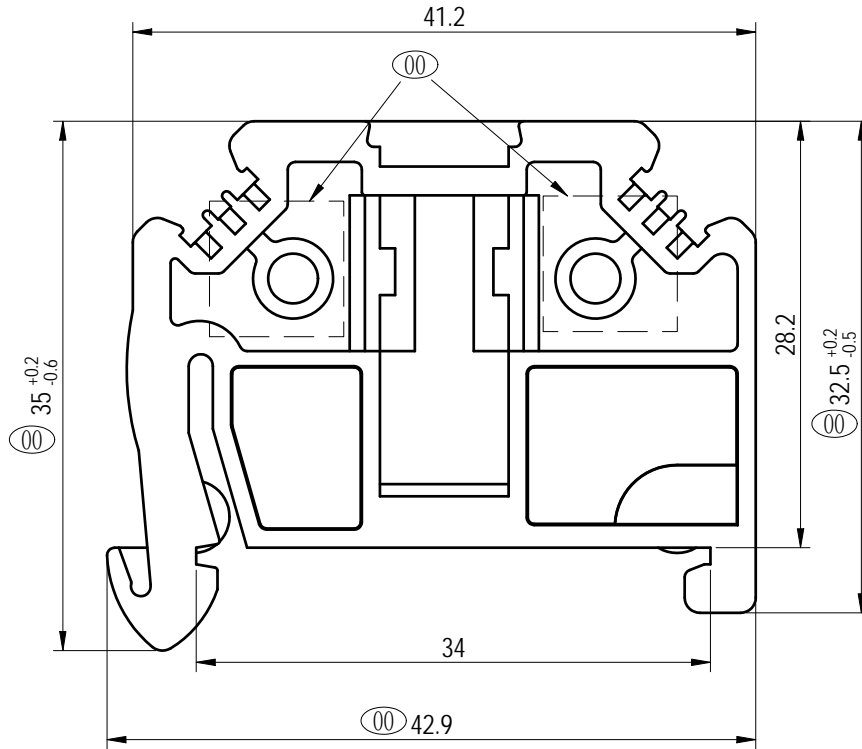
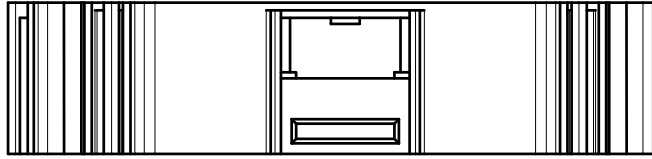


未注公差/General tolerances (mm)												0.1/10		
0 ~ 3	>3 ~ 6	>6 ~ 10	>10 ~ 18	>18 ~ 30	>30 ~ 50	>50 ~ 80	>80 ~ 120	>120 ~ 180	>180 ~ 250	>250 ~ 315	>315 ~ 400		>400 ~ 500	>500
±0.12	±0.18	±0.22	±0.26	±0.31	±0.37	±0.57	±0.80	±0.93	±1.05	±1.15	±1.60	±2.20	±2.50	±2'



2	Shim	Stainless steel	/
1	Housing	PA66	UL94V-0
ITEM	NAME OF PART	MATERIAL	NOTES
间距/Pitch(mm)/线数范围/Poles			10.0/01P
使用温度范围/Operating temperature(°C)			-40~+105
符合RoHS环保要求/Conform to RoHS			Yes

DEGSON		MATERIAL:	SURFACE/COLOR:
APPD: 李根芳	2021.03.28	MAT NO./REV: / 00	MAT STATUS: 批量
CHKD: 马恩开	2021.03.28	NAME	
DRFT: 郑启国	2021.03.28	E-WS-01P-1Y-00Z(H)	
DRAWING NO.	TYPE	DRAWING STATUS	SCALE
200256472	CUSTOMER DRAWING	work	2:1
SHEET		1/1	

REV	ECN	DESCRIPTION	DRFT	DATE
00	20210096	Structural changes	郑启国	2021.03.28

Transfer or duplication of this document as well as the utilization or communication of its contents are prohibited unless authorized in writing. All rights reserved for patent, utility model or design registrations. 除专利等明确标注外，本文件内容均受法律保护。未经本公司书面许可，任何单位和个人不得擅自复制或传播。如有侵权，本公司保留追究法律责任的权利。